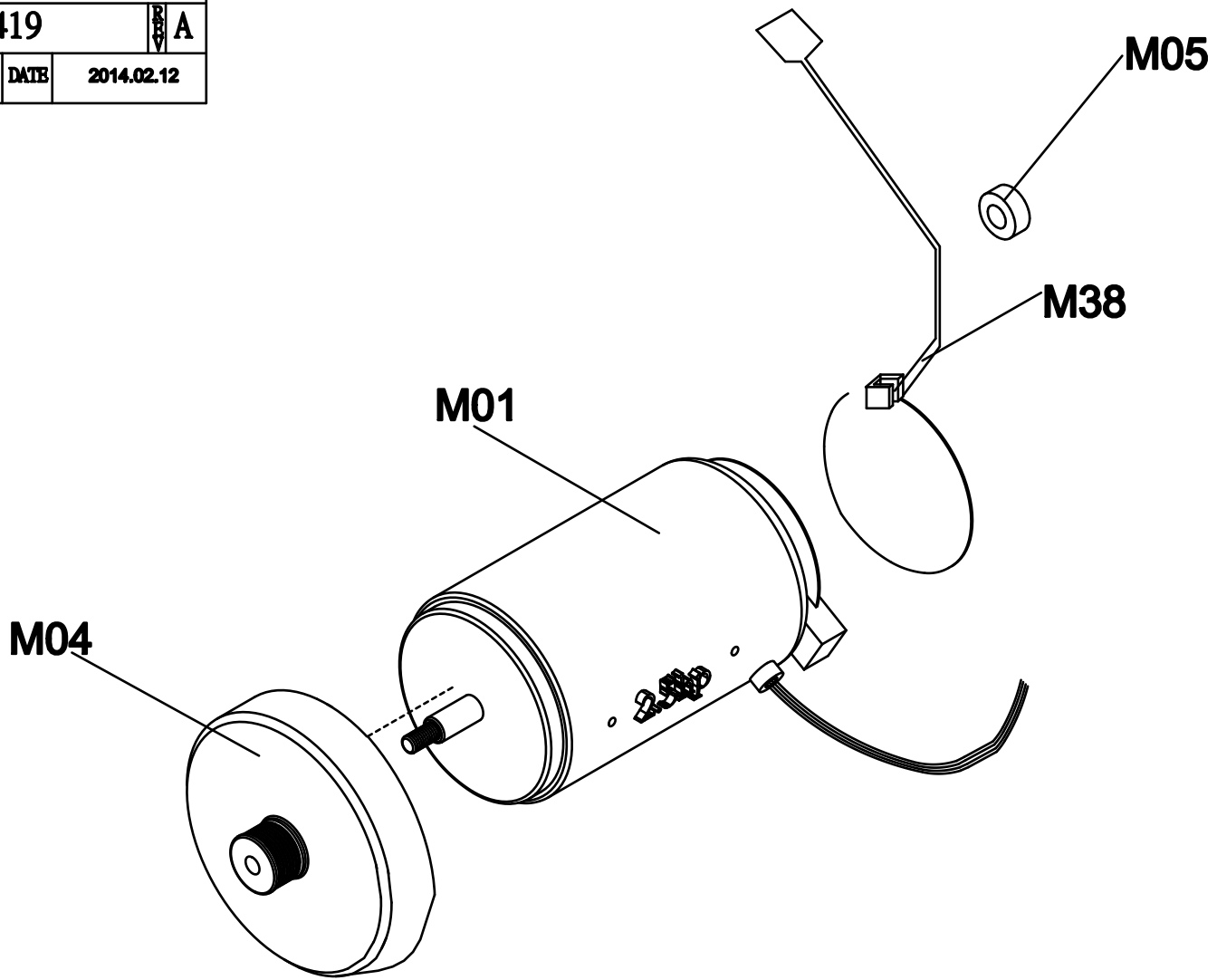
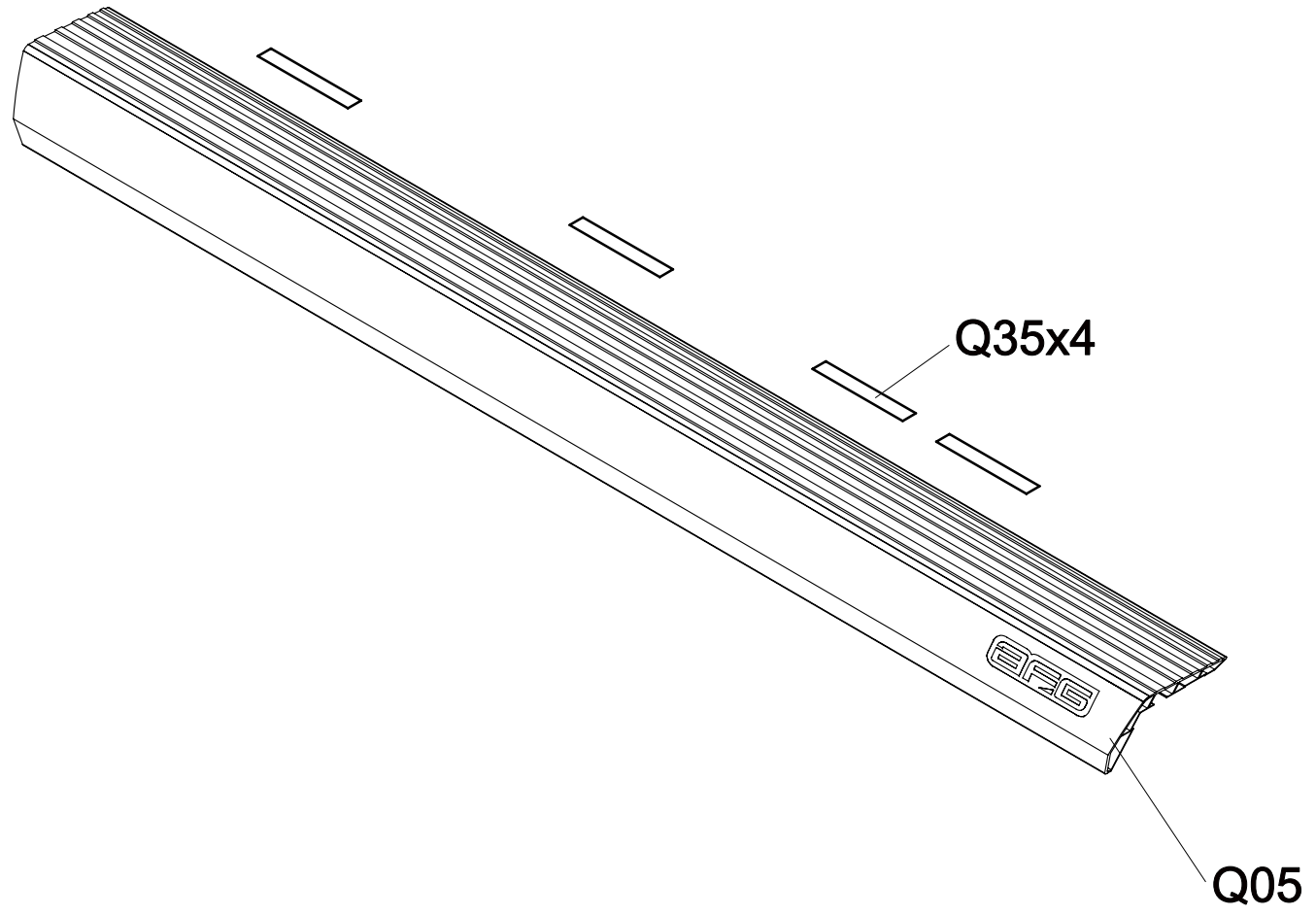


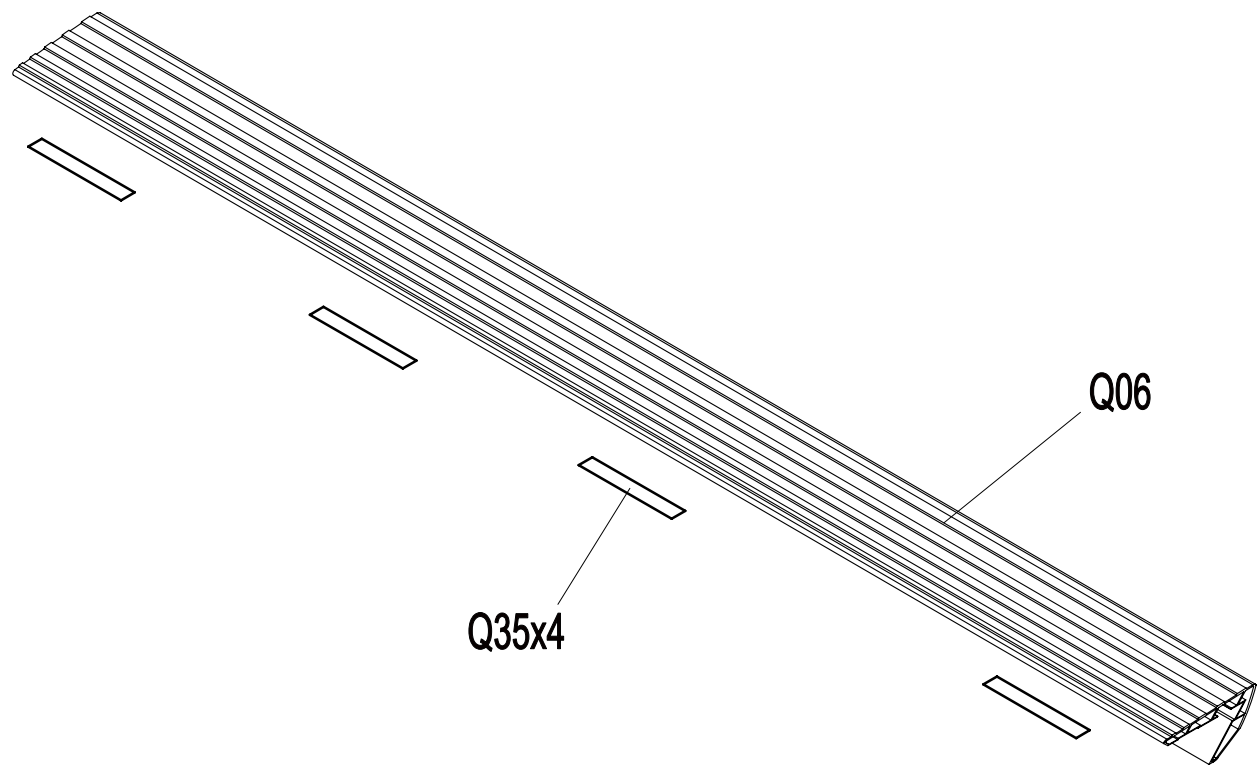
DRAWING NO	TM426-A15		
PART NAME	Driver Motor		
PART NO	1000220419	A	
APPROVE	Jianguhe	DATE	2014.02.12



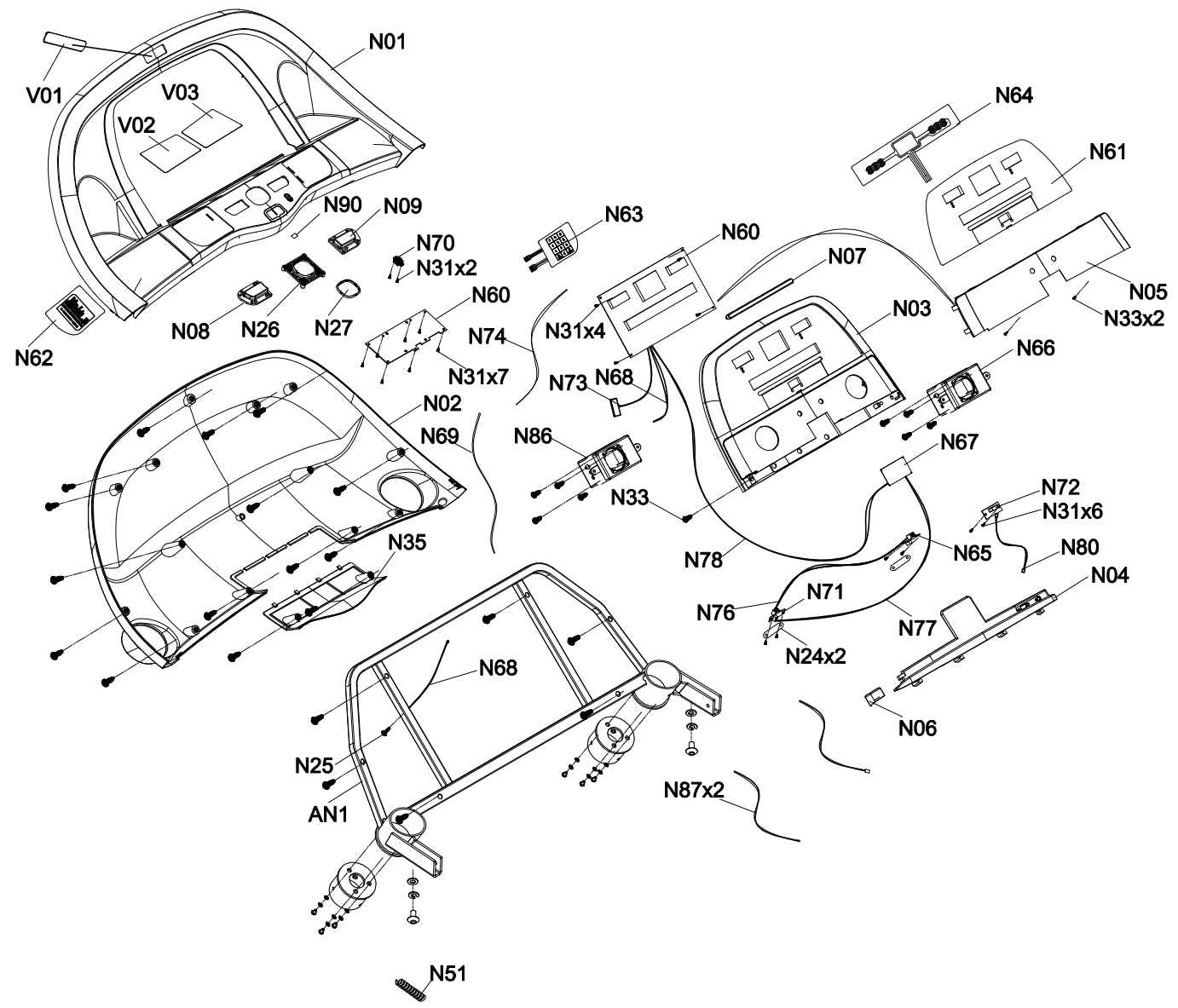
DRAWING NO	TM426-A10		
PART NAME	Side rail set;SA;L		
PART NO	1000220420	REV	A
APPROVE		DATE	2011.7.9



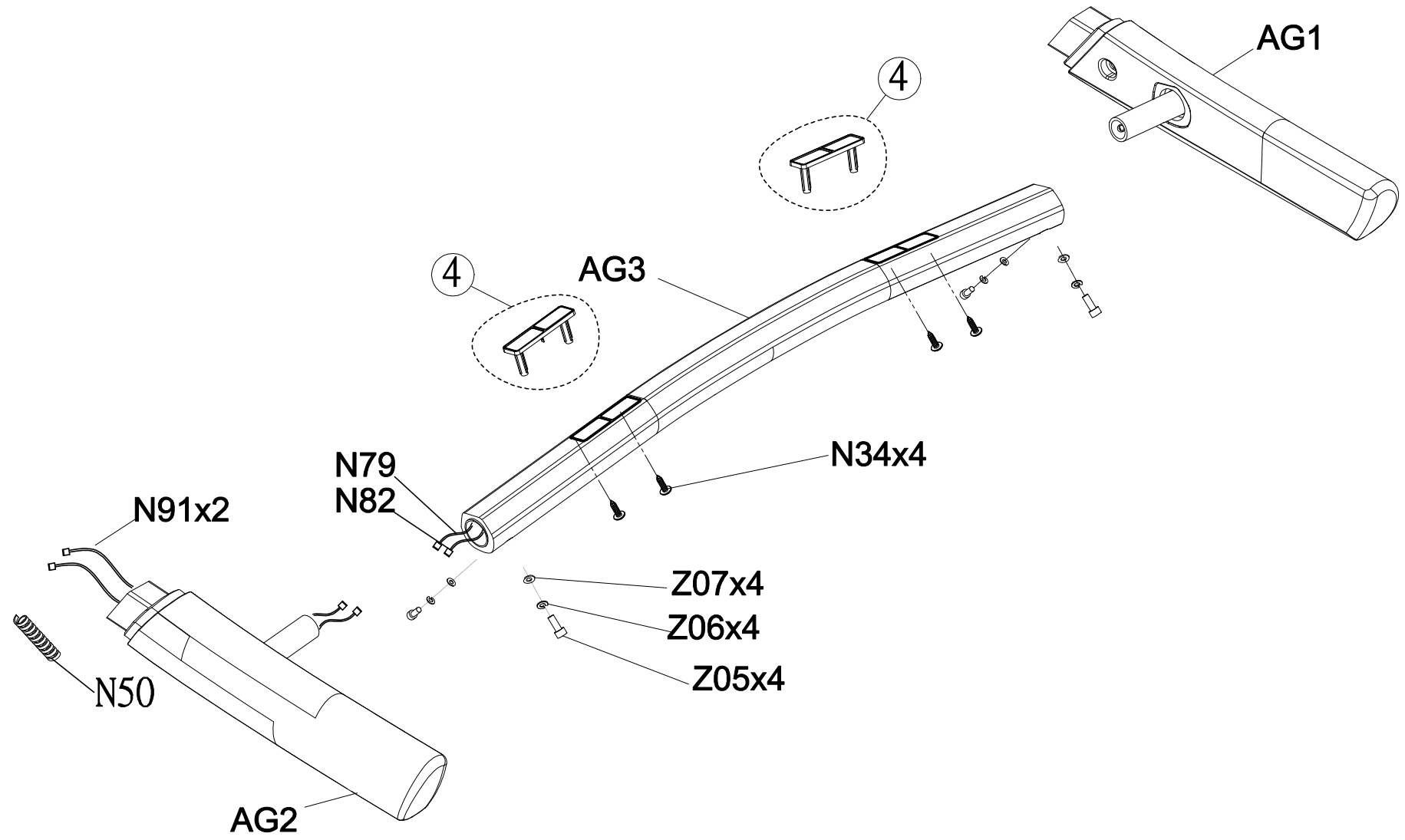
DRAWING NO	TM426-A11		
PART NAME	Side rail set;SA;R		
PART NO	1000220421	REV	A
APPROVE		DATE	2011.7.9



DRAWING NO	TM426-A12		
PART NAME	Console set;SA		
PART NO	1000220422	REV	A
APPROVE	Wuwj	DATE	20140317



DRAWING NO	TM427-A13		
PART NAME	Handlebar set		
PART NO	1000220314	REV	A
APPROVE		DATE	2011.07.06



DRAWING NO	TM427-A14		
PART NAME	HP GRIP SET		
PART NO	1000220315	REV	A
APPROVE	Wangwp	DATE	2014.1.14

