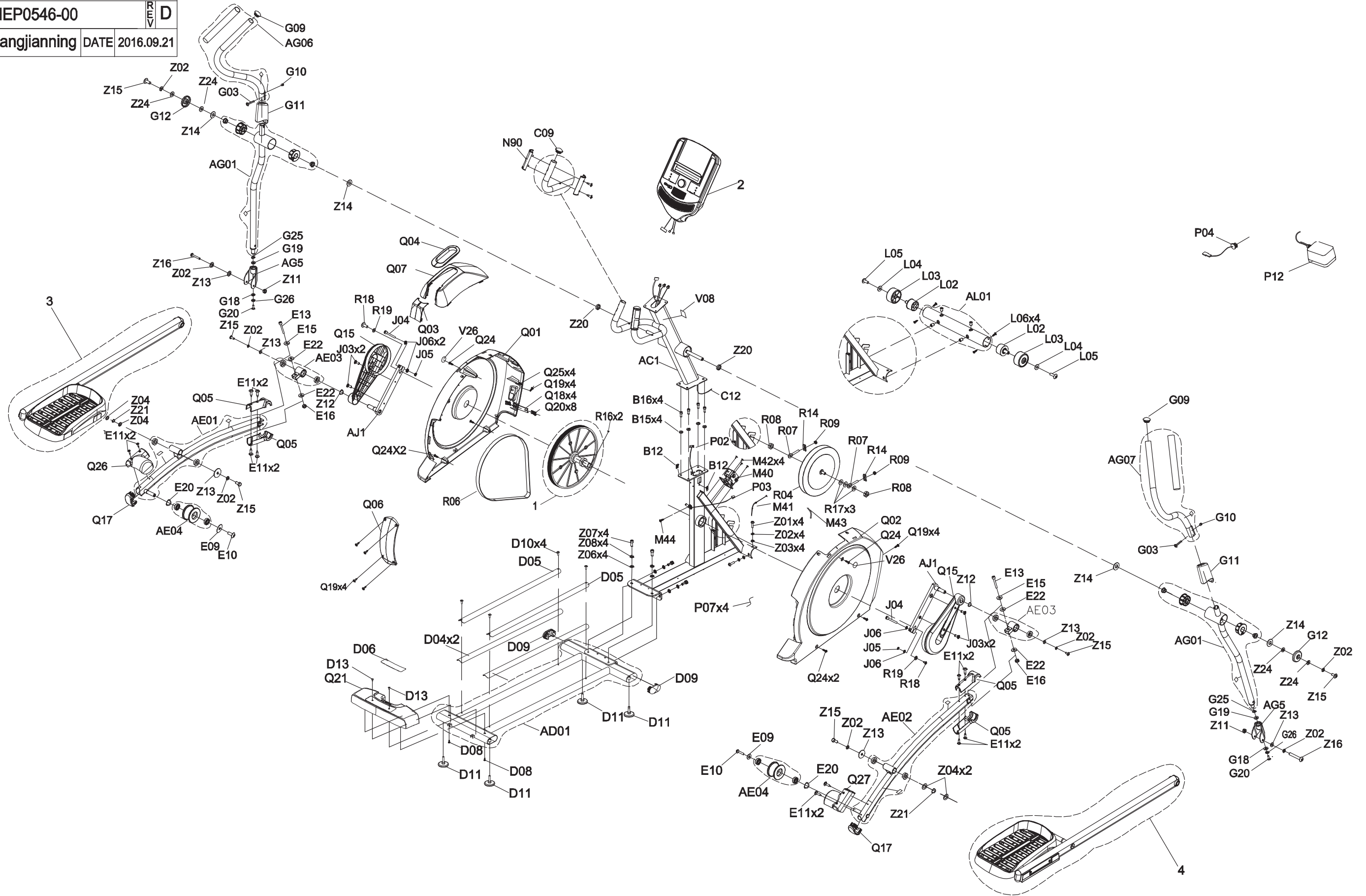
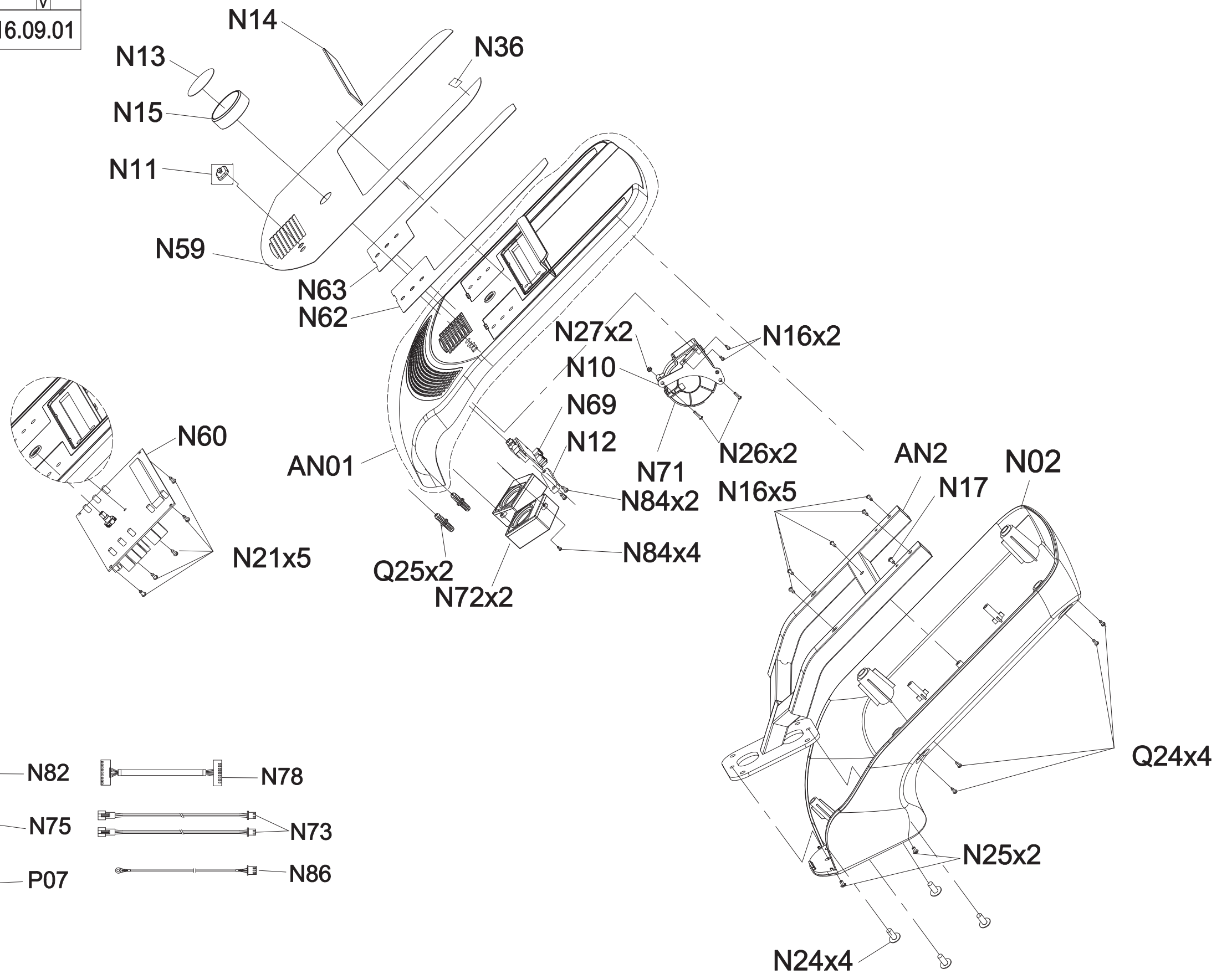


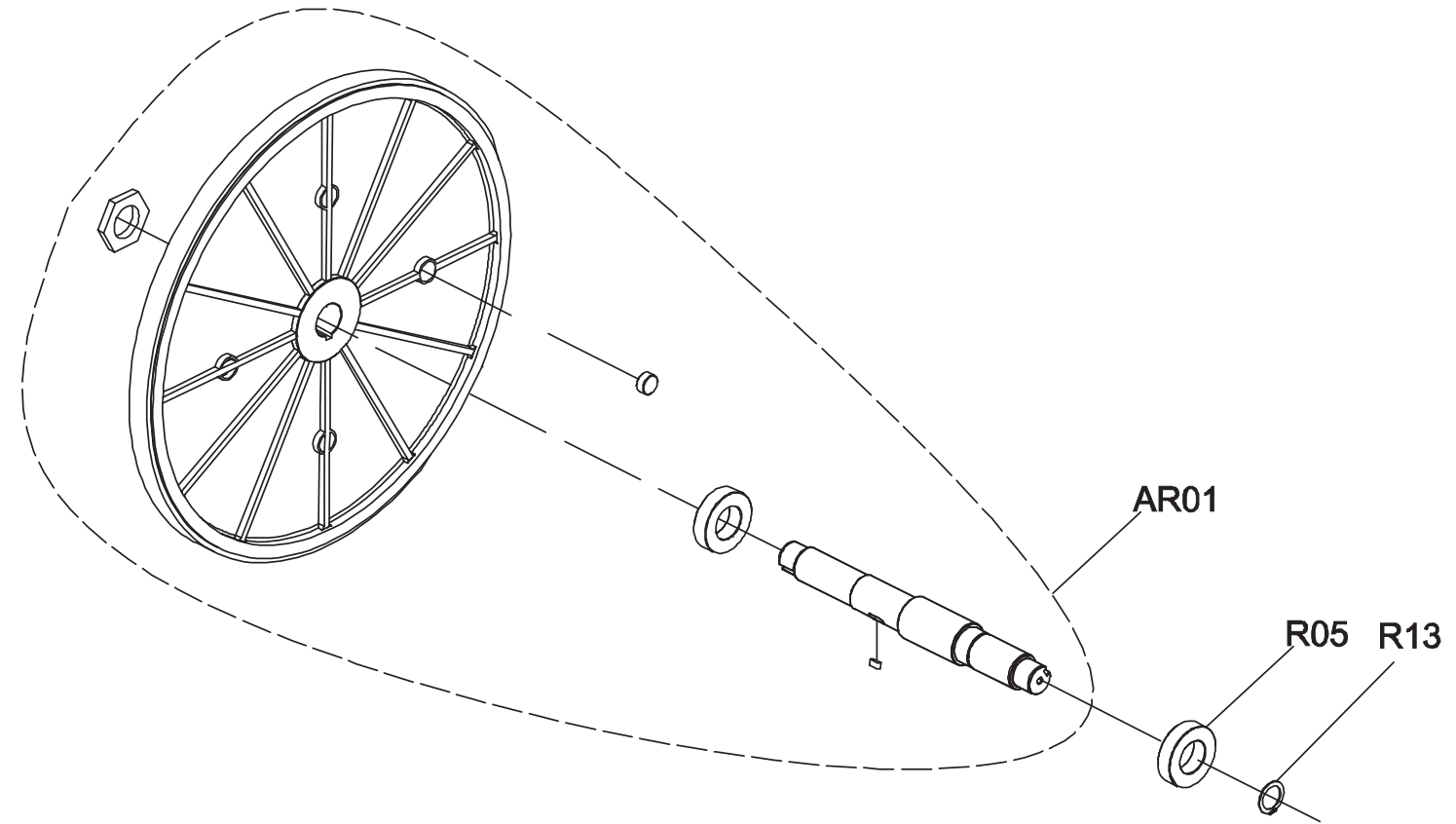
DRAWING NO	PEP594-1US		
PART NAME	Explosive Drawing		
PART NO	HEP0546-00	REV	D
APPROVE	Yangjianning	DATE	2016.09.21



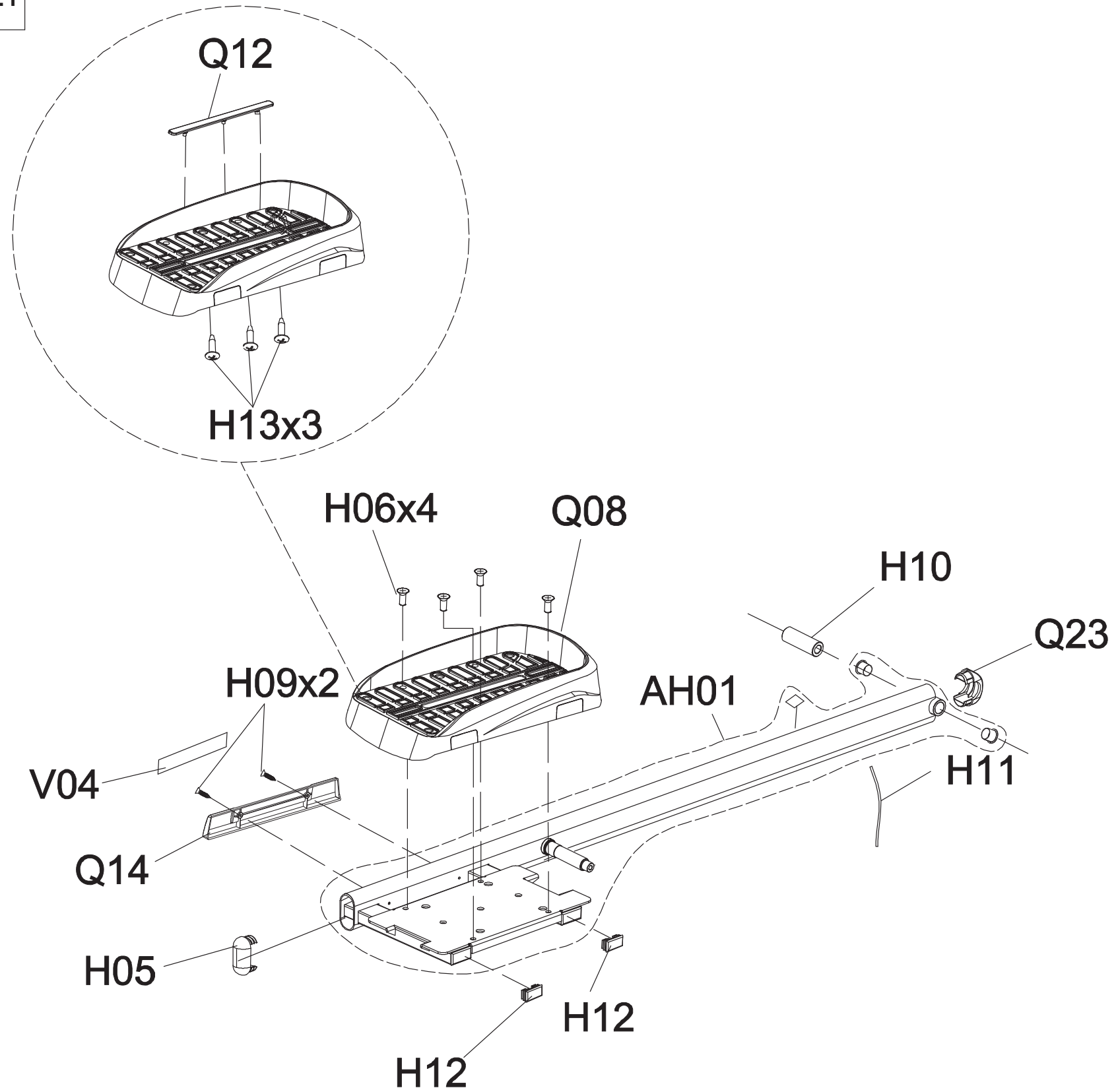
DRAWING NO	EP594-A12		
PART NAME	Console set		
PART NO	1000355285	REV	C
APPROVE	YANGJIANNING	DATE	2016.09.01



DRAWING NO	EP594-A11		
PART NAME	Drive Axle Set		
PART NO	1000383222	REV	A
APPROVE	YANGJIANNING	DATE	2016.01.06



DRAWING NO	EP594-A13		
PART NAME	Link Arm Set		
PART NO	1000397821	REV	A
APPROVE	Yangjianning	DATE	2016.09.21



DRAWING NO	EP594-A14		
PART NAME	Link Arm Set		
PART NO	1000397830	REV	A
APPROVE	Yangjianning	DATE	2016.09.21

