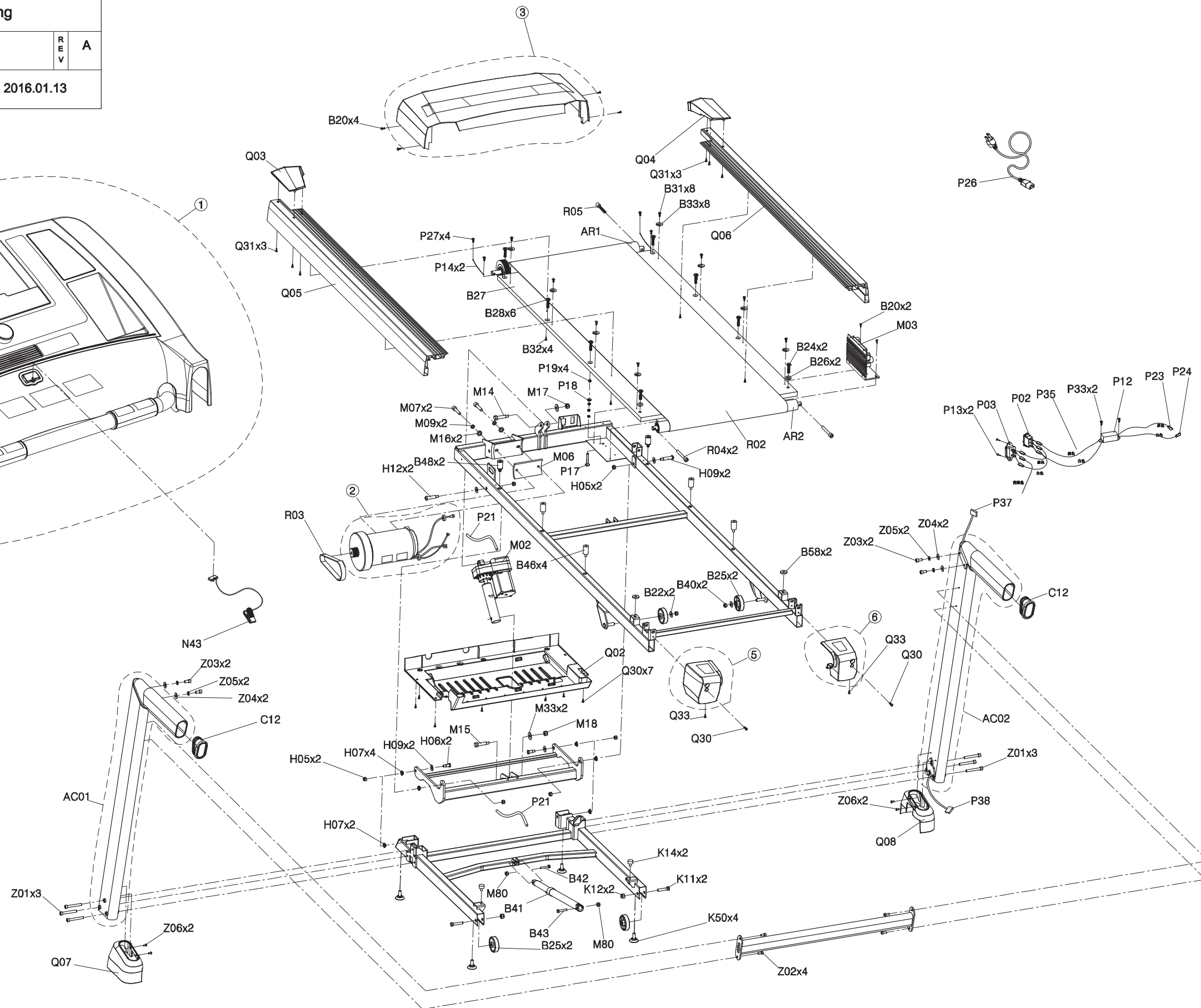
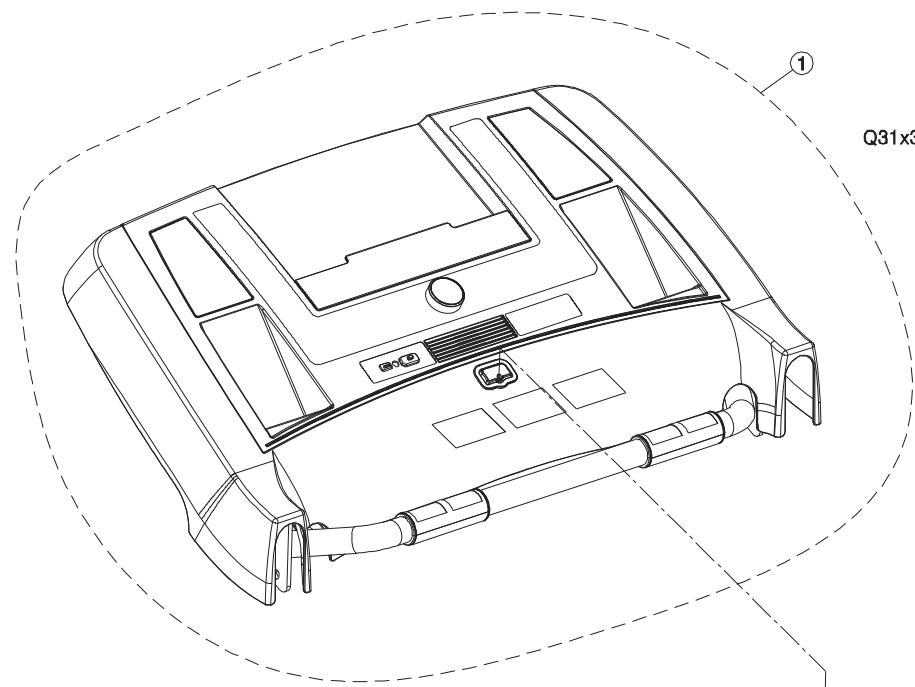
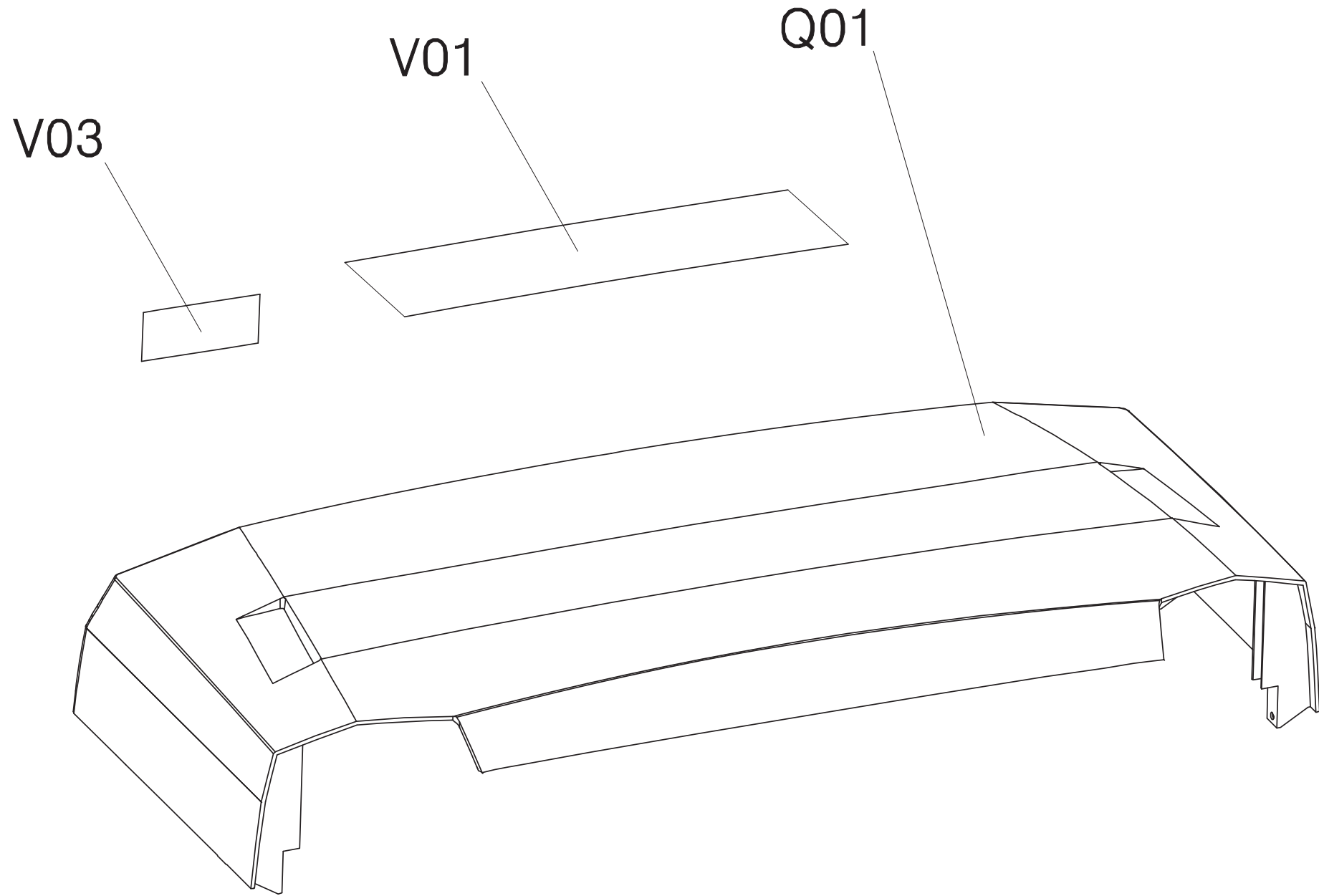


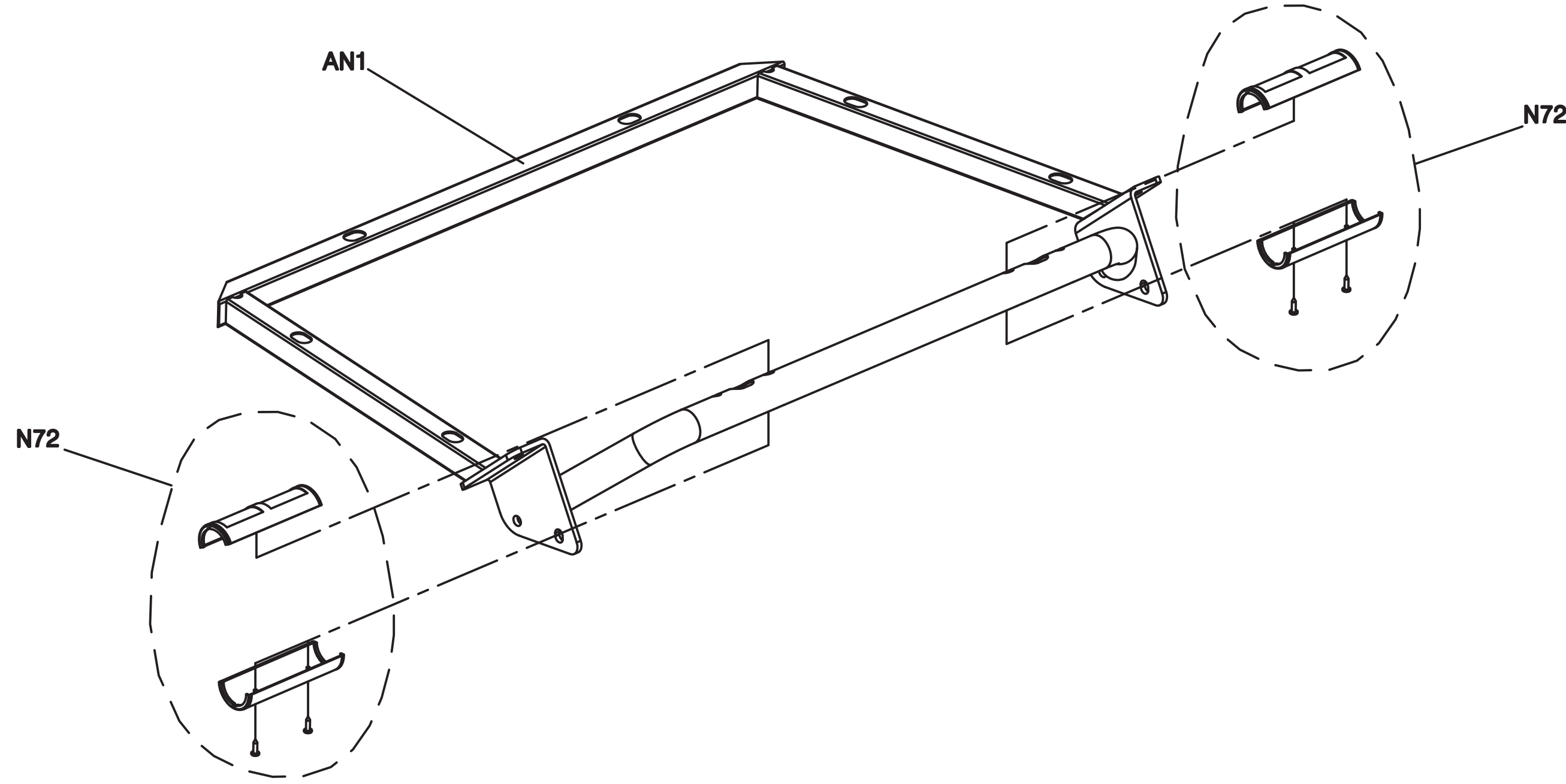
DRAWING NO	PTM702-1US		
PART NAME	Explosive Rendering		
PART NO	HTM1104-00	REV	A
APPROVE	ZHUYINGHONG	DATE	2016.01.13



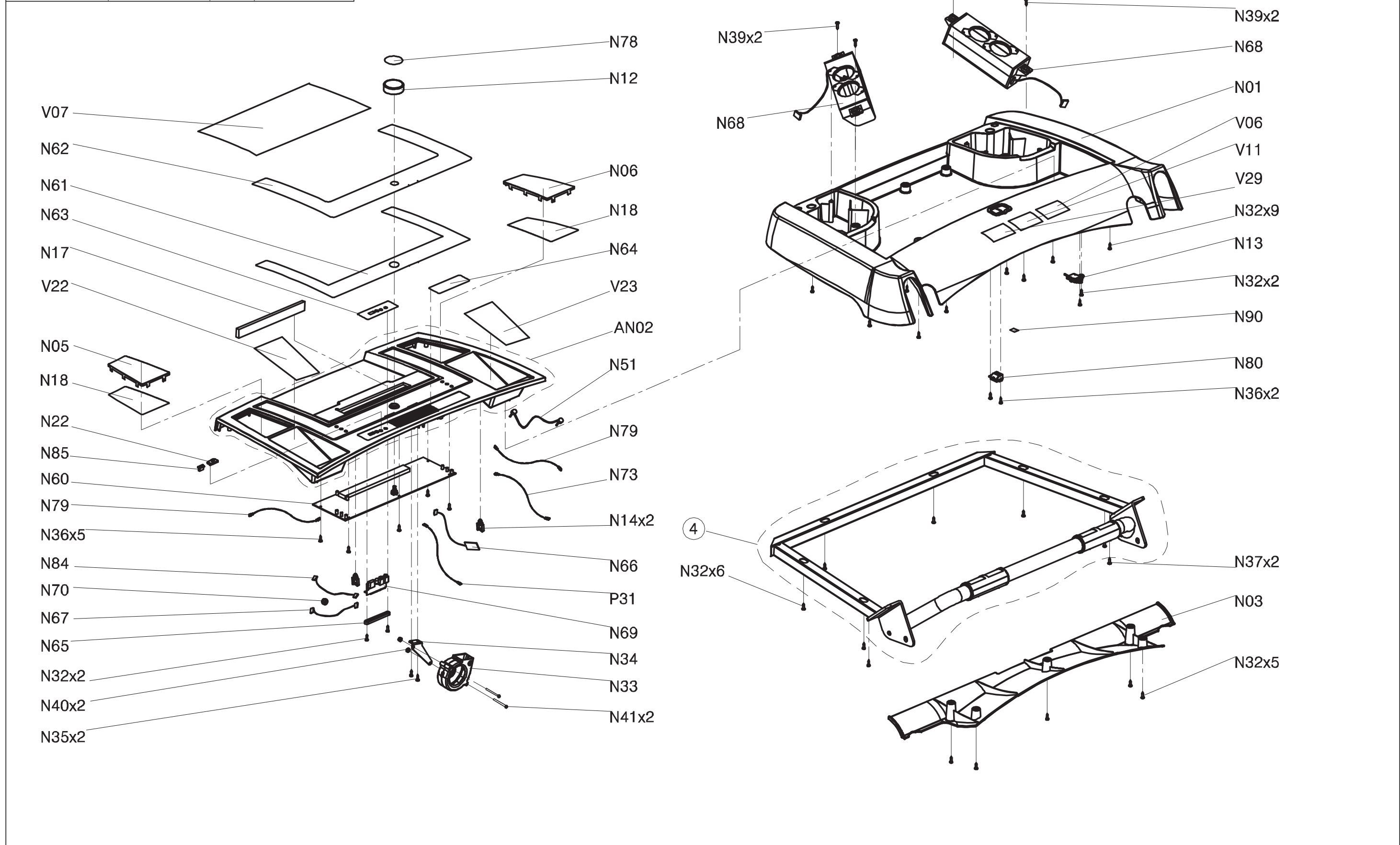
DRAWING NO	TM702-A17		
PART NAME	Motor Cover Set;Semi-Assy		
PART NO	1000383522	REV	A
APPROVE	ZHUYINGHONG	DATE	2016.01.13



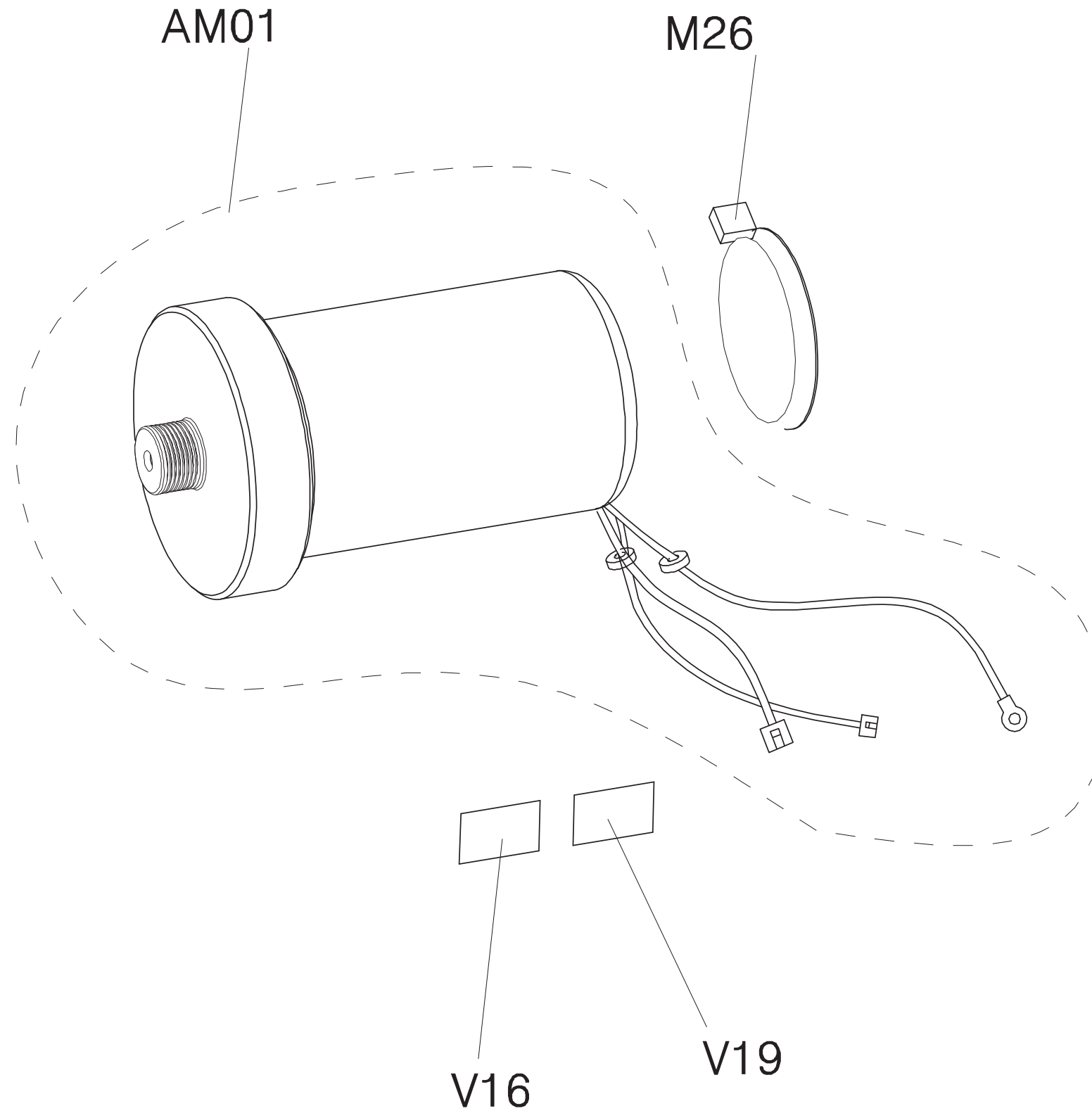
DRAWING NO	TM701-A16		
PART NAME	Console Base Set		
PART NO	1000367724	REV	A
APPROVE	ZHUYINGHONG	DATE	2015.07.10



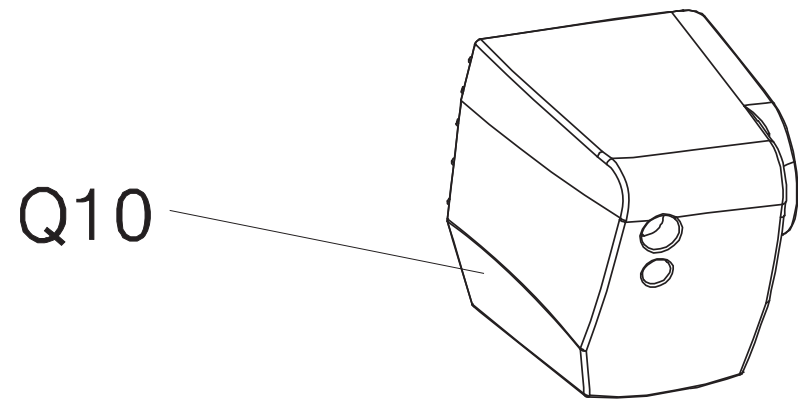
DRAWING NO	TM702-A14		
PART NAME	Console set		
PART NO	1000383517	REV	A
APPROVE	ZHUYINGHONG	DATE	2016.01.13



DRAWING NO	TM702-A12		
PART NAME	Motor set;Semi-Assy		
PART NO	1000383519	REV	A
APPROVE	ZHUYINGHONG	DATE	2016.01.13



DRAWING NO	TM702-A15		
PART NAME	END CAP SET;Semi-Assy;left		
PART NO	1000383520	REV	A
APPROVE	ZHUJINGHONG	DATE	2016.01.13



DRAWING NO	TM702-A16		
PART NAME	END CAP SET;Semi-Assy:right		
PART NO	1000383521	REV	A
APPROVE	ZHUYINGHONG	DATE	2016.01.13

