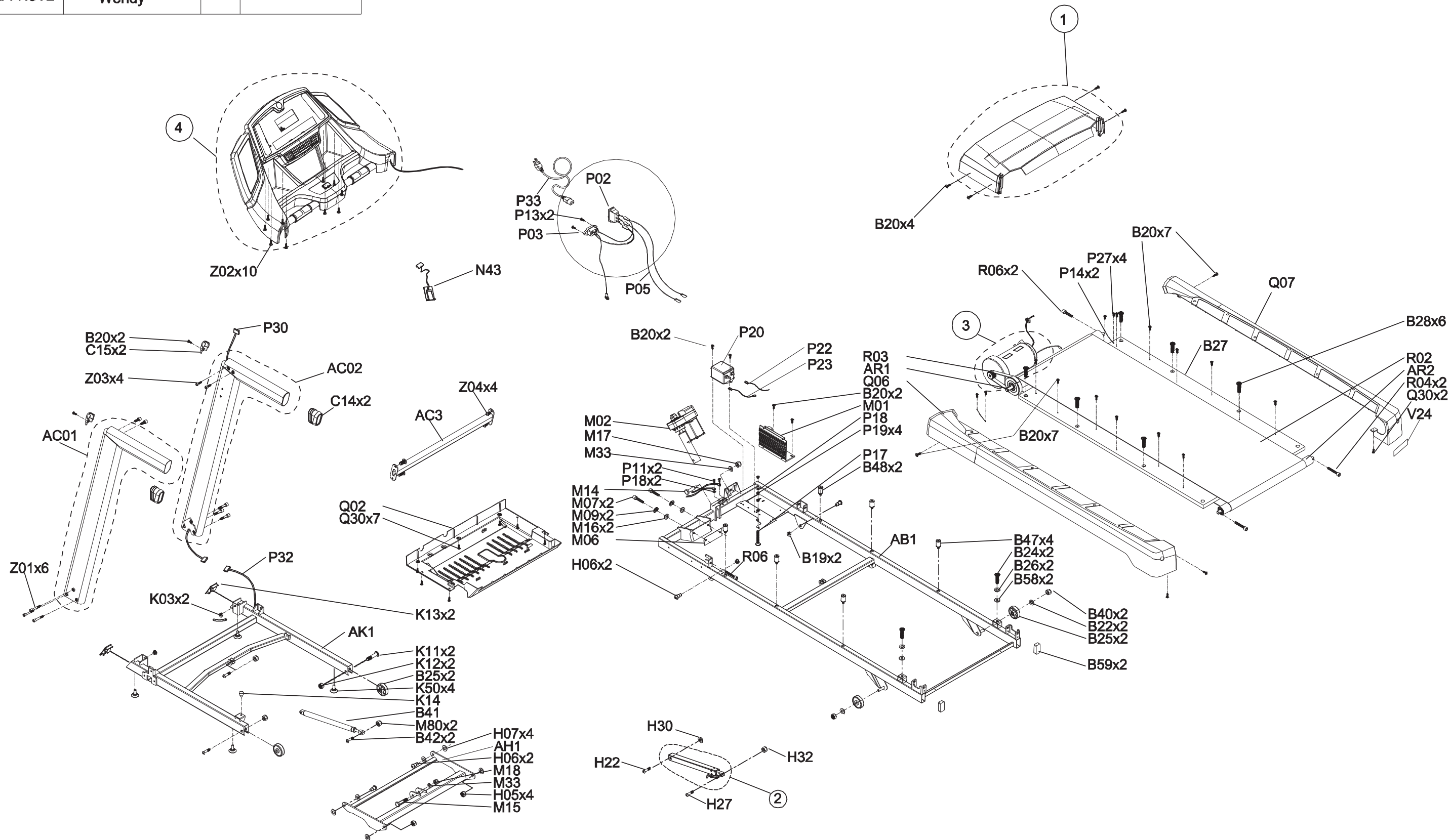
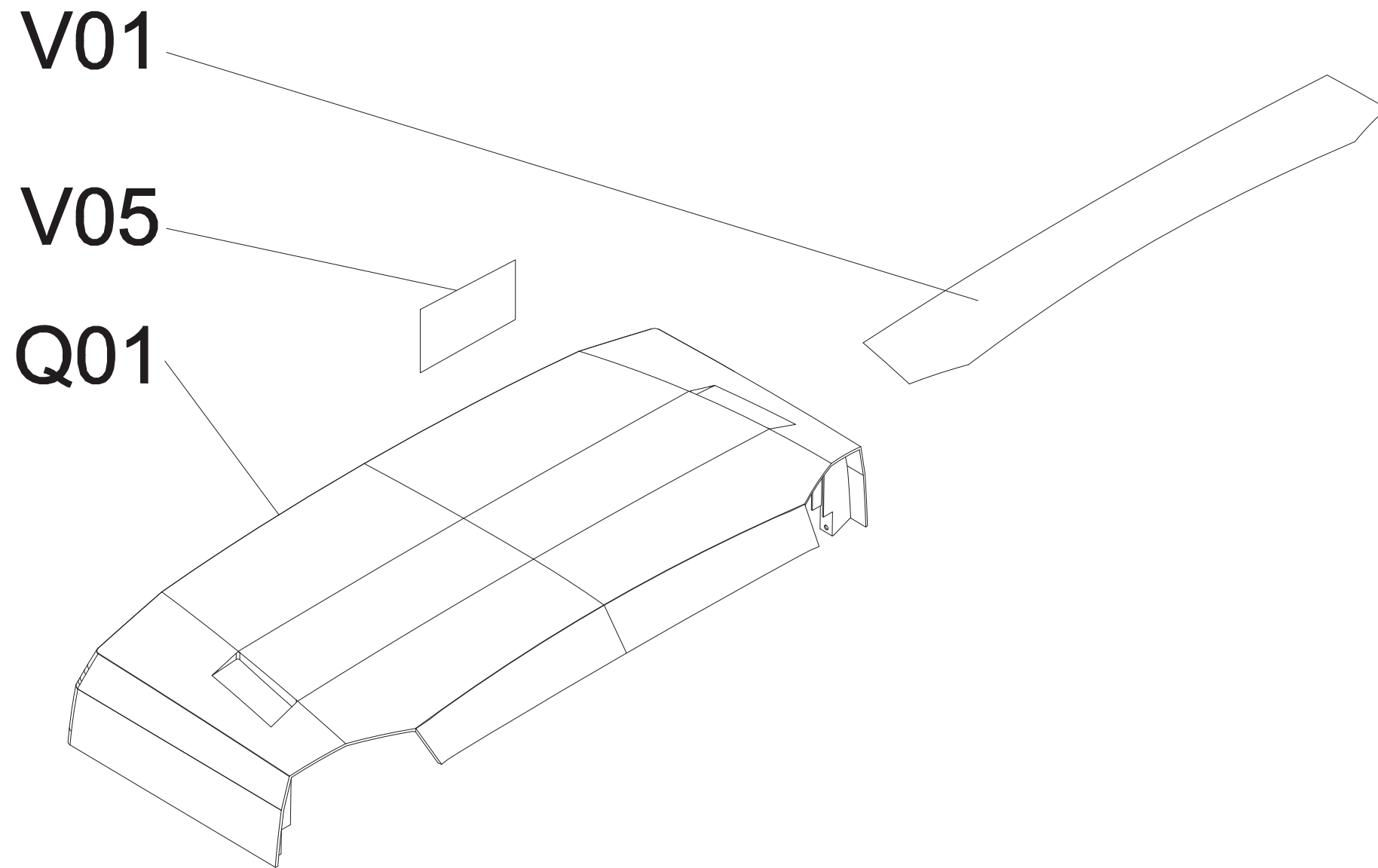


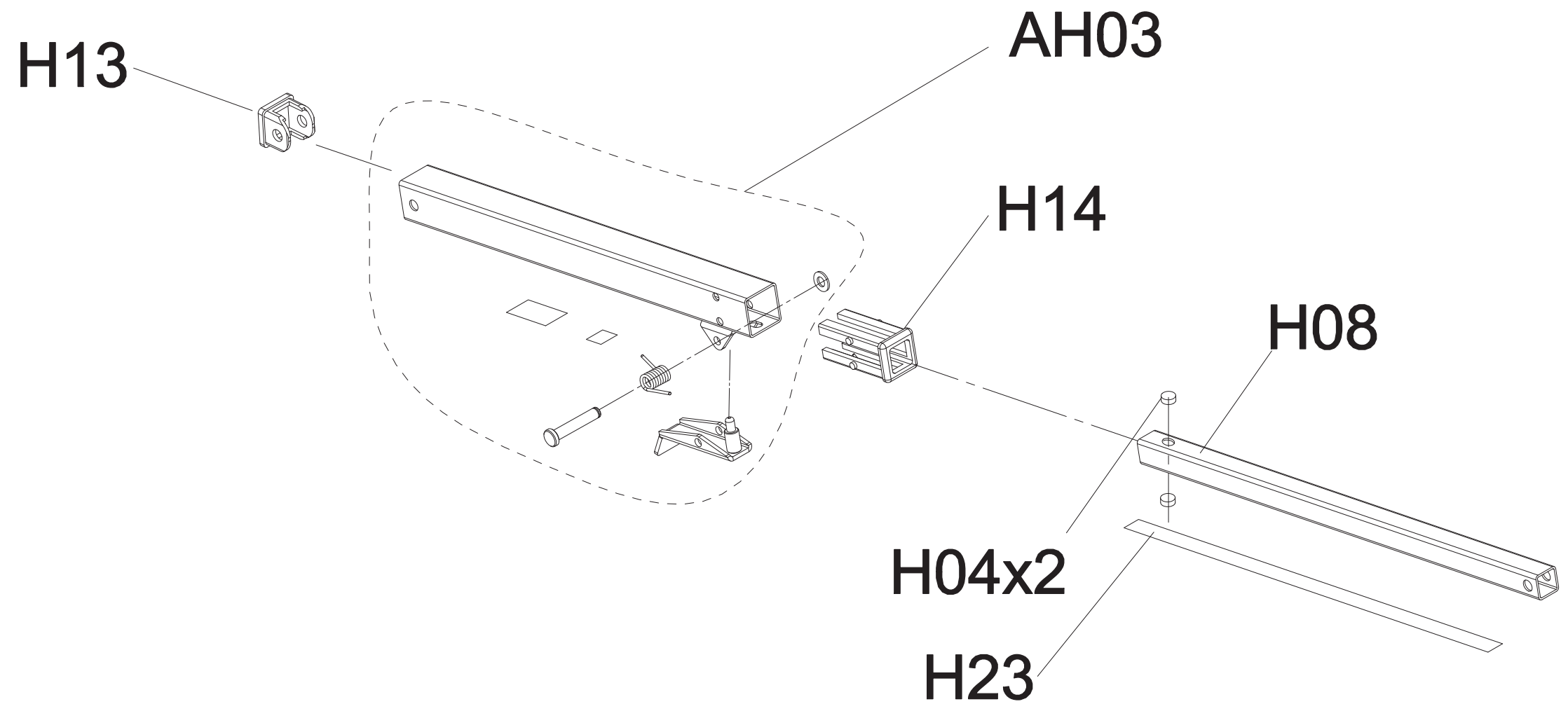
DRAWING NO.	PTM685D-1US		
PART NAME	Explosive Drawing		
PART NO.	HTM1130-00	REV	A
APPROVE	Wendy	DATE	2015.07.16



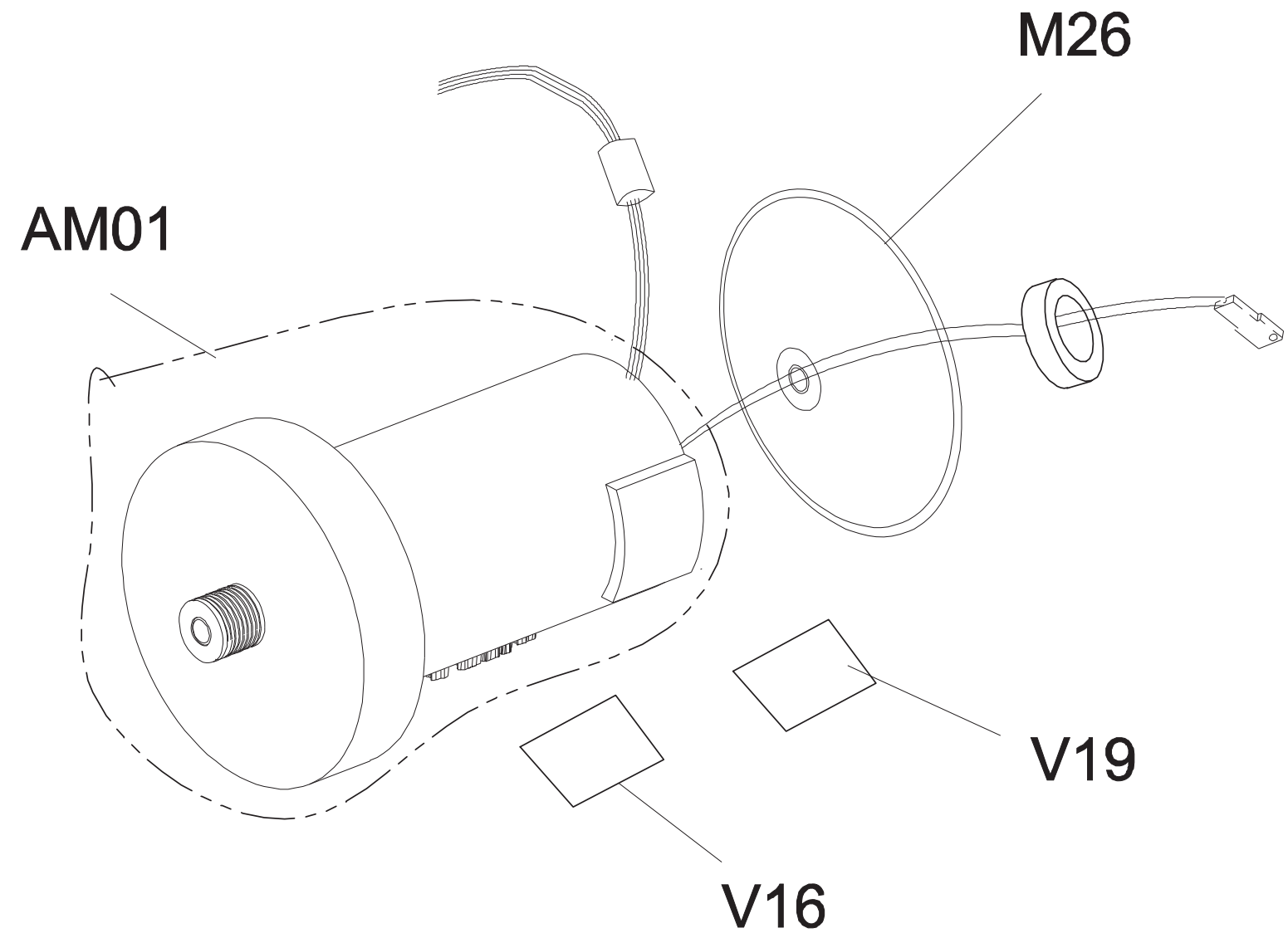
DRAWING NO	TM685D-A17		
PART NAME	Motor cover set		
PART NO	1000367272	REV	A
APPROVE	Wendy	DATE	2015.07.06



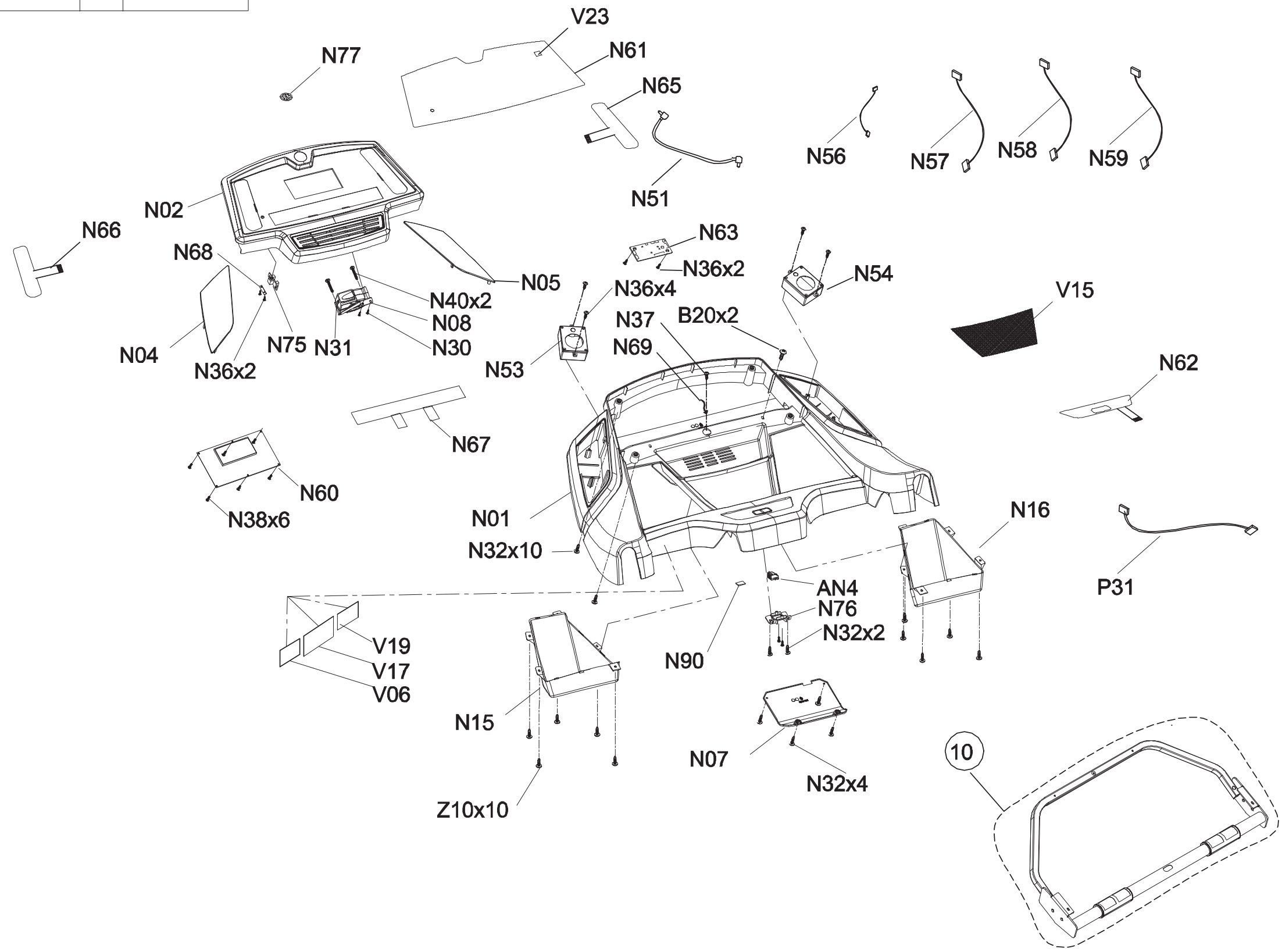
DRAWING NO	TM685C-A09		
PART NAME	Sheath tube set		
PART NO	1000366080	REV	A
APPROVE	Wendy	DATE	2015.07.06



DRAWING NO	TM685D-A13		
PART NAME	Motor Set		
PART NO	1000371577	REV	A
APPROVE	Wendy	DATE	2015.8.19



DRAWING NO	TM685D-A14		
PART NAME	Console Set		
PART NO	1000369000	REV	B
APPROVE	YANGJIANNING	DATE	2015.09.18



DRAWING NO	TM685-A16		
PART NAME	Console Base Set		
PART NO	1000300606	REV	A
APPROVE		DATE	2013.02.22

