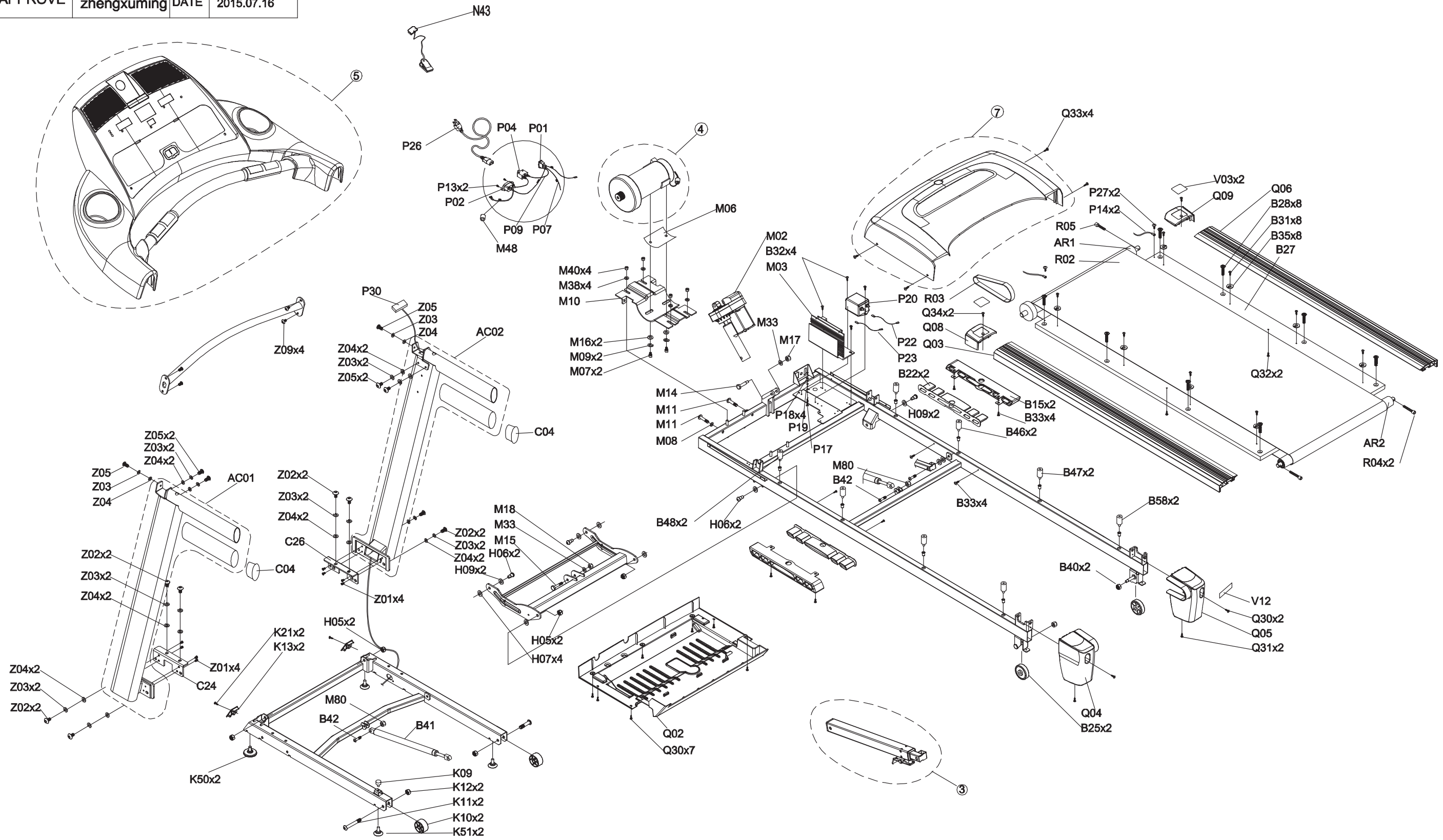
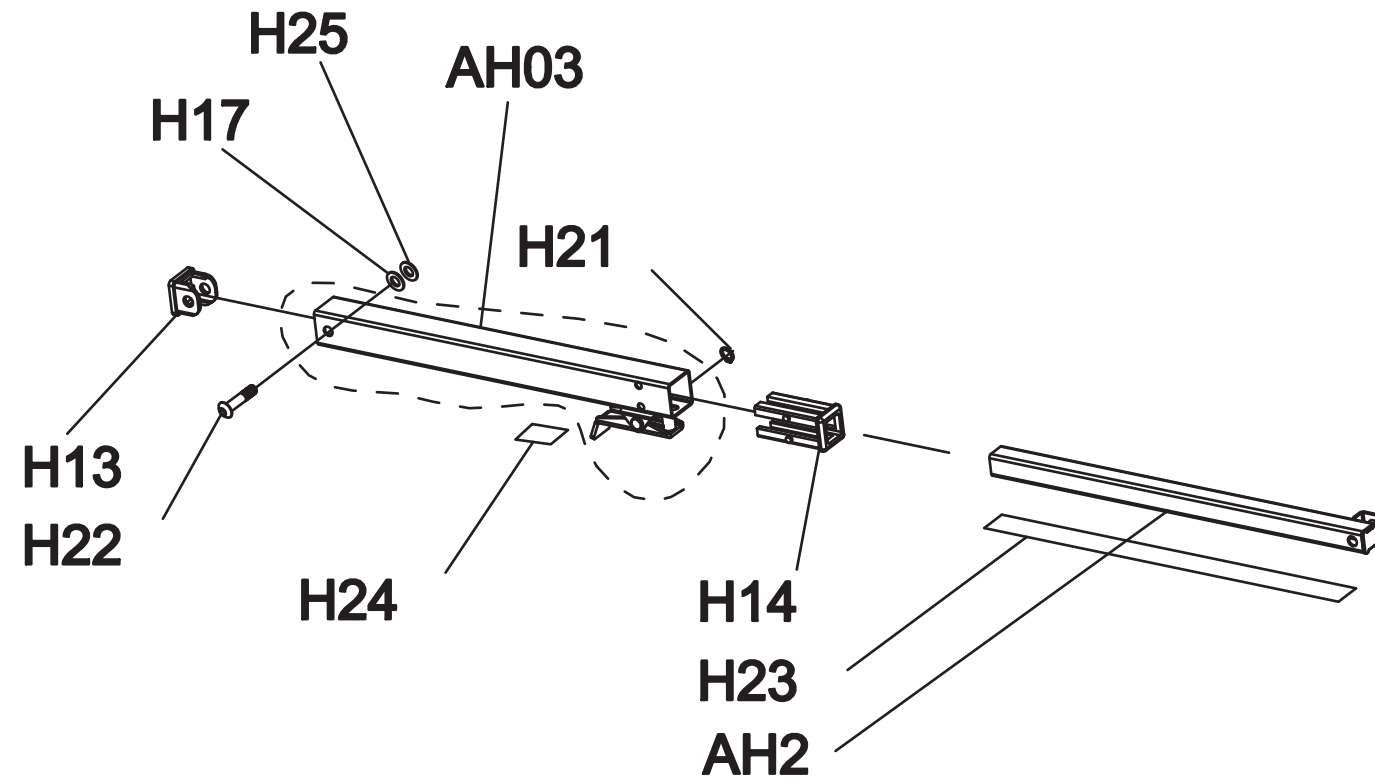


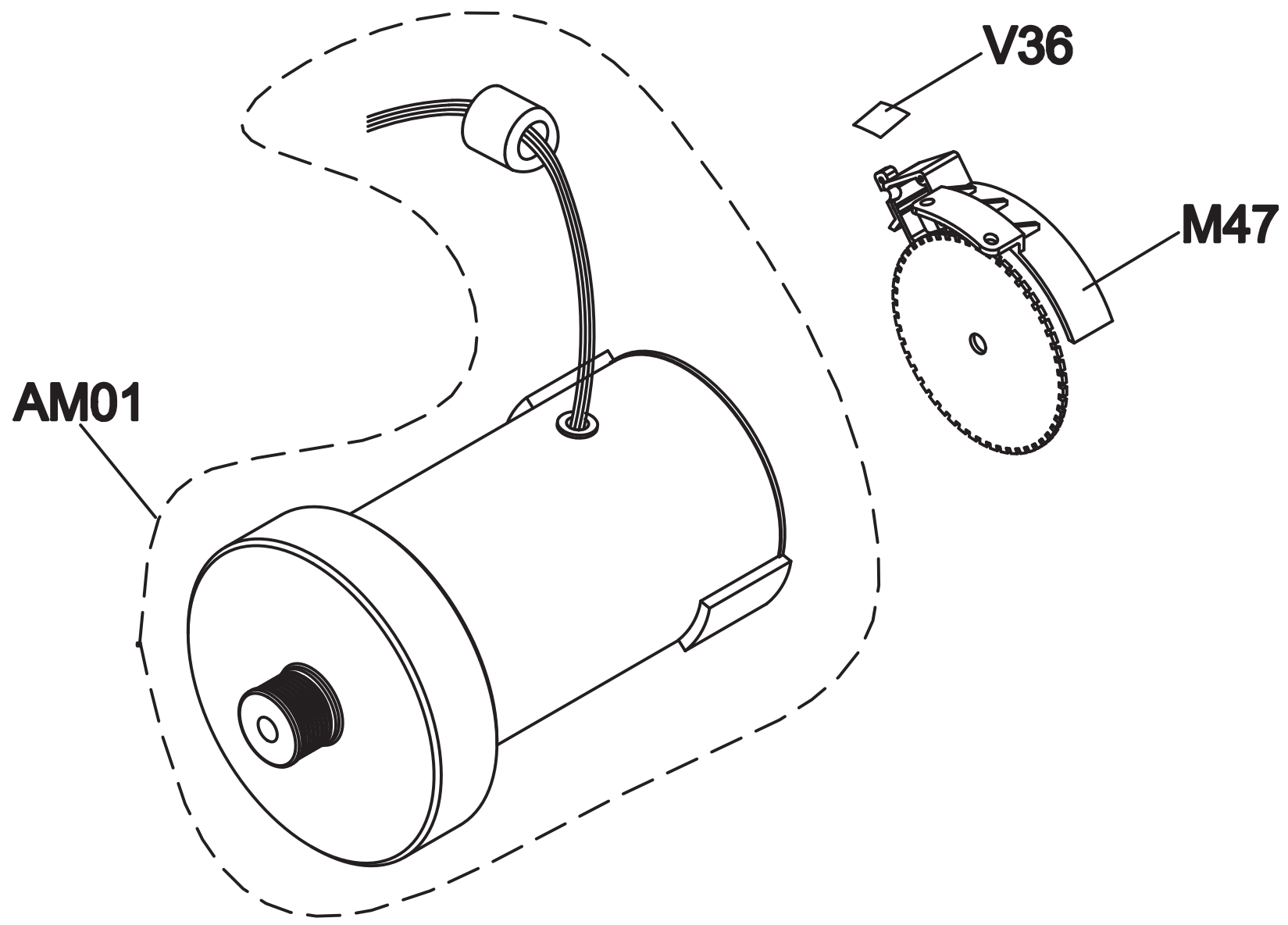
DRAWING NO.	PTM658F-1US		
PART NAME	EXPLOSIVE DRAWING		
SAP PART NO.	HTM1131-00	REV	A
APPROVE	zhengxuming	DATE	2015.07.16



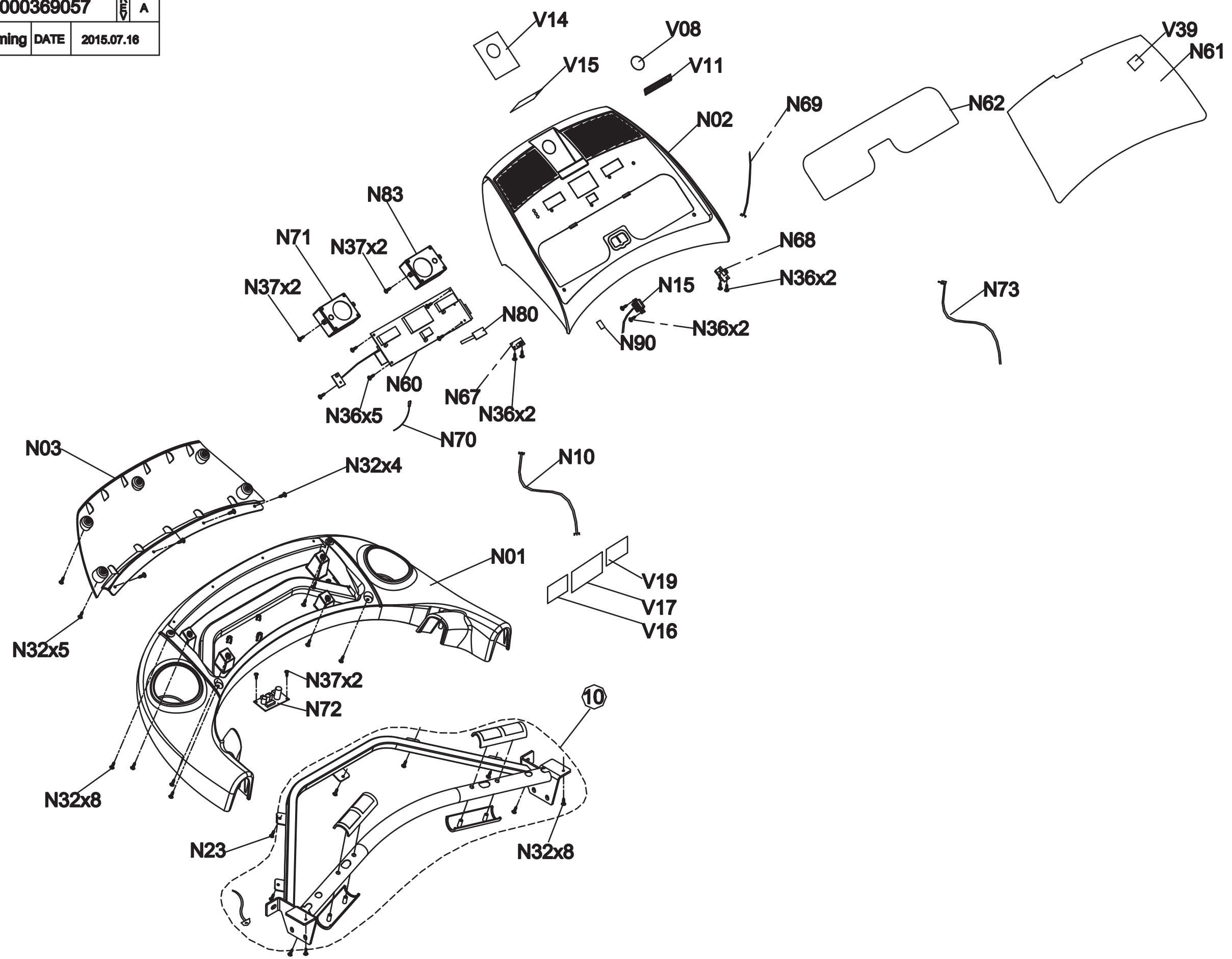
DRAWING NO	TM658E-A09		
PART NAME	Connecting Tube Set		
PART NO	1000361527	REV	A
APPROVE	caijinghui	DATE	2015.06.15



DRAWING NO	TM658F-A16		
PART NAME	MOTOR SET		
PART NO	1000369008	REV	A
APPROVE	zhengxuming	DATE	2015.07.06



DRAWING NO.	TM658F-A12		
PART NAME	Console Set		
SAP PART NO.	1000369057	REV	A
APPROVE	zhengxuming	DATE	2015.07.16



DRAWING NO.	TM658F-A14		
PART NAME	Cover Set		
SAP PART NO.	1000369058	REV	A
APPROVE	zhengxuming	DATE	2015.07.05

