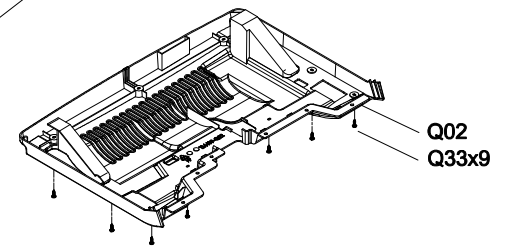
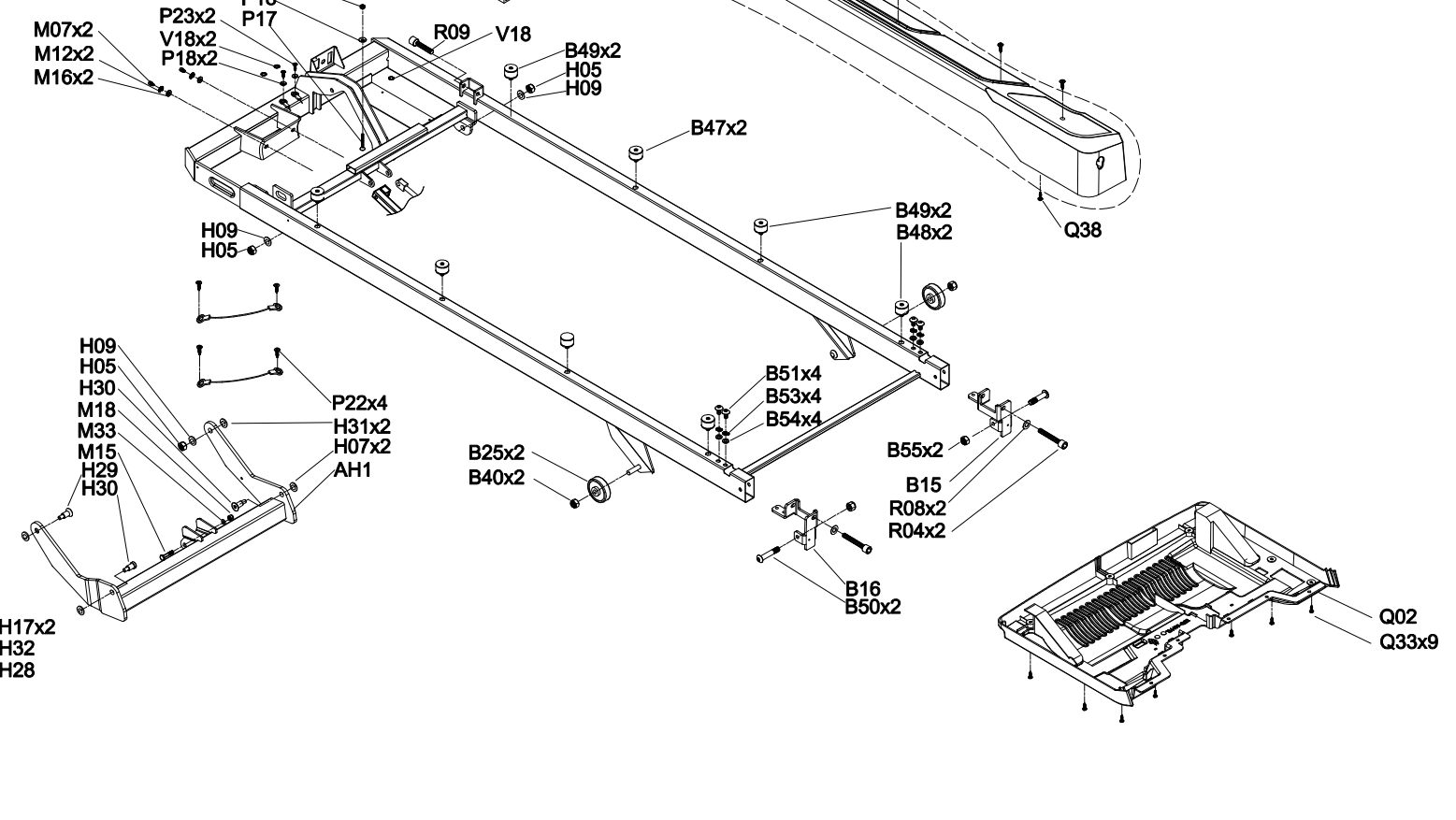
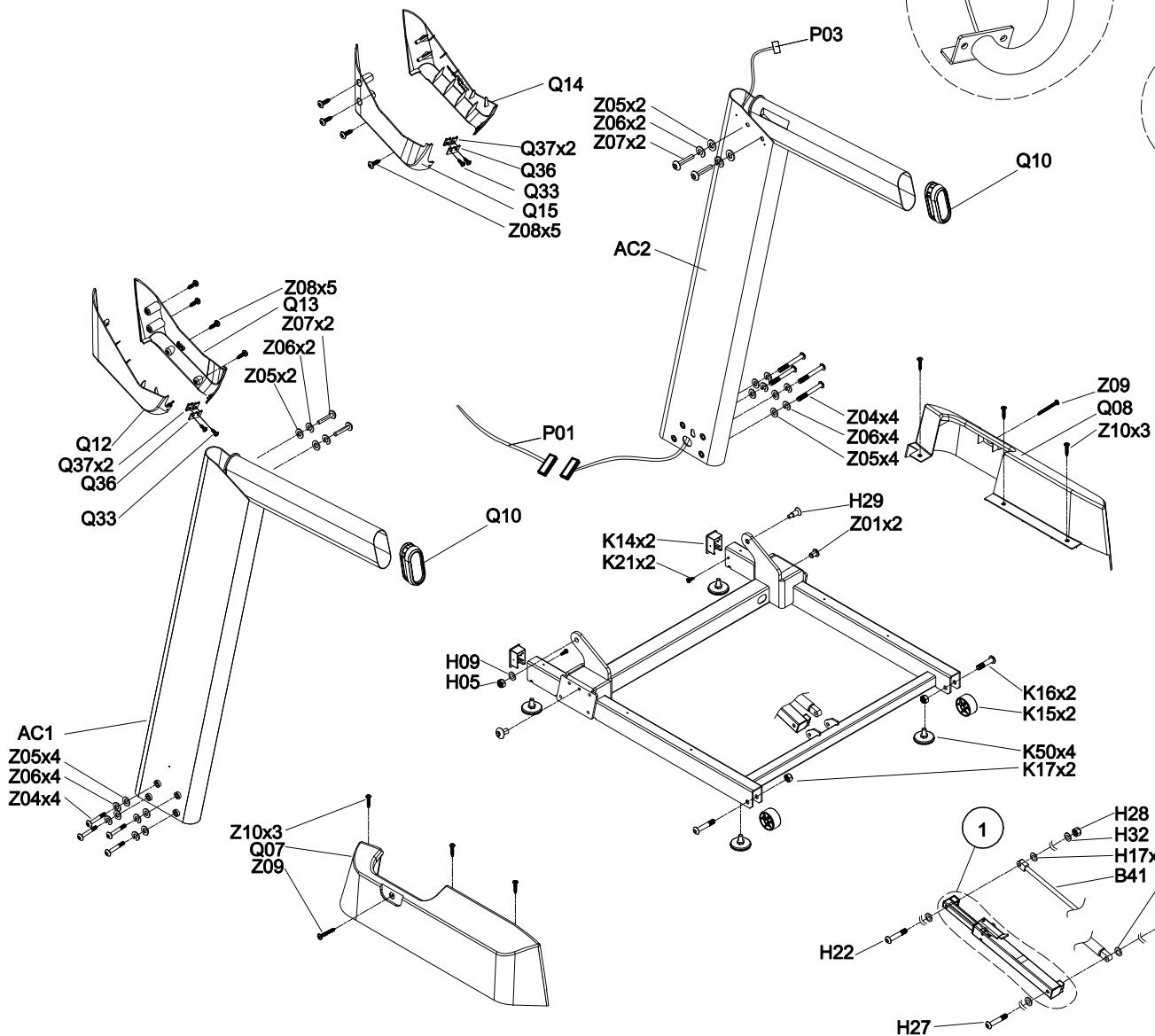
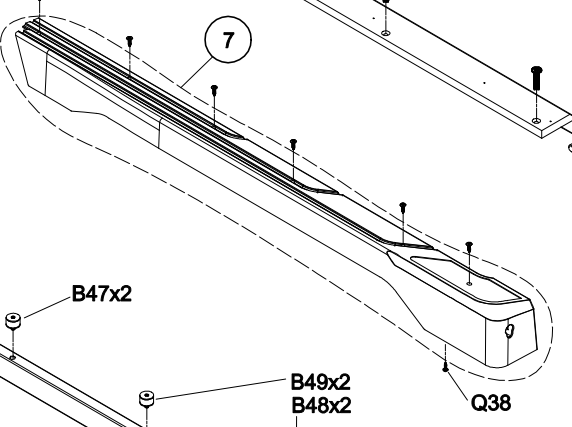
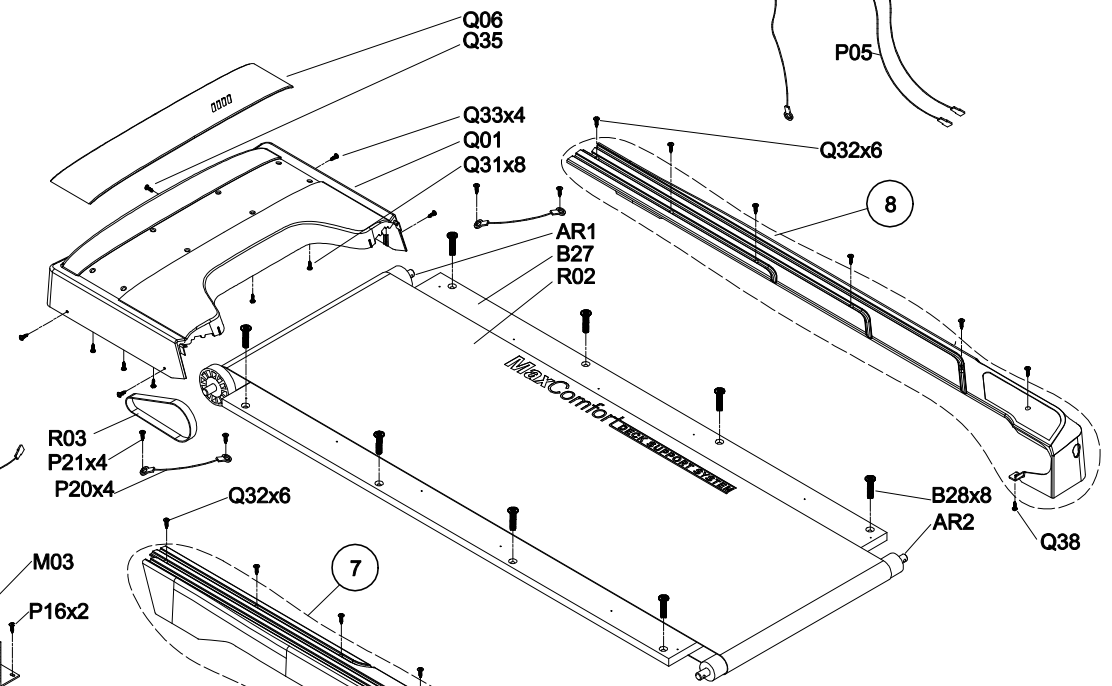
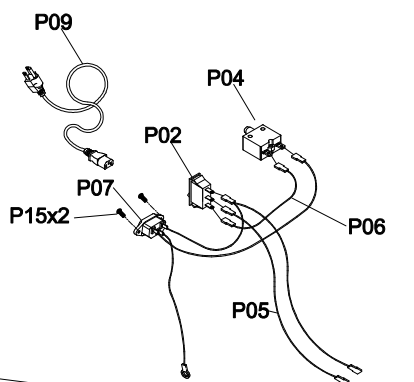
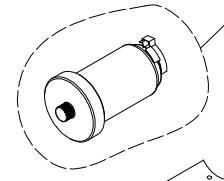
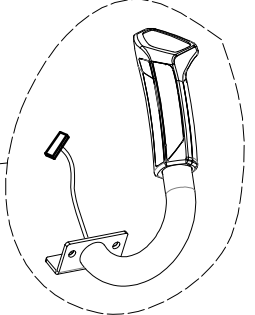
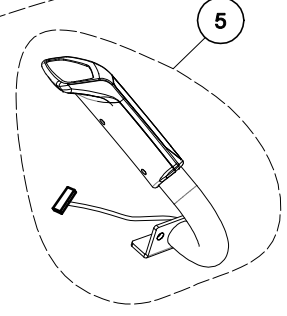
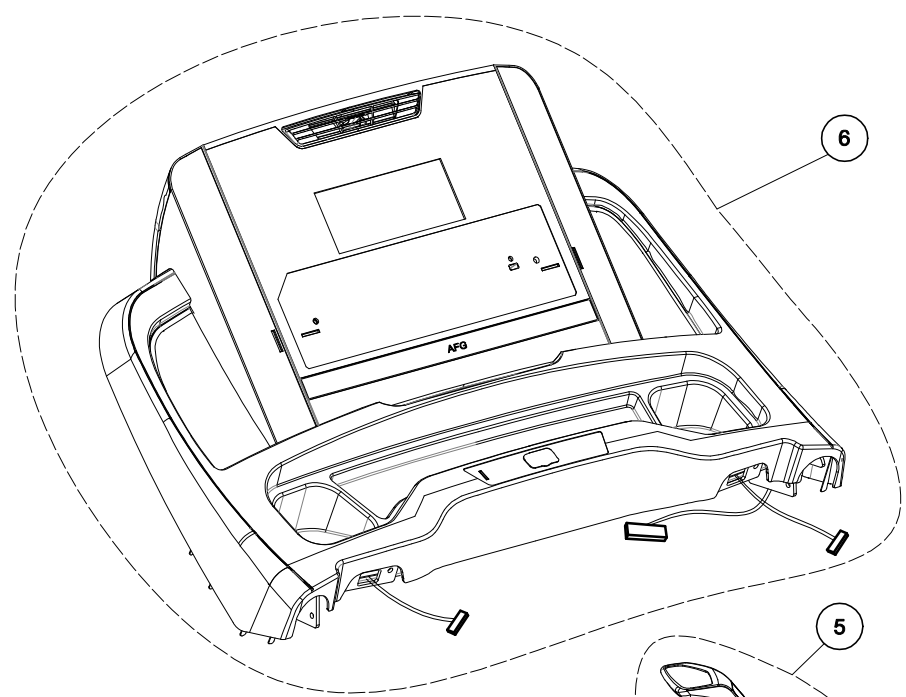


DRAWING NO	PTM439E-1US		
PART NAME	Explosive Rendering		
PART NO	HTM1076-00	REV	A
APPROVE	Lvhui	DATE	20140326



- Z08x5
- Q13
- Z07x2
- Z06x2
- Z05x2
- Q12
- Q37x2
- Q36
- Q33
- Q33

- Z05x2
- Z06x2
- Z07x2

- M07x2
- M12x2
- M16x2

- P23x2
- V18x2
- P18x2

- B49x2
- H05
- H09

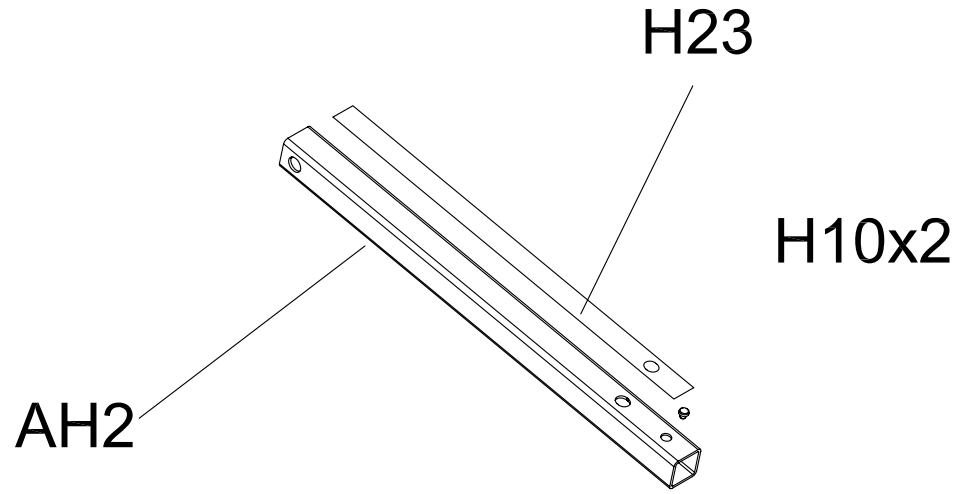
- B51x4
- B53x4
- B54x4

- B15
- R08x2
- R04x2

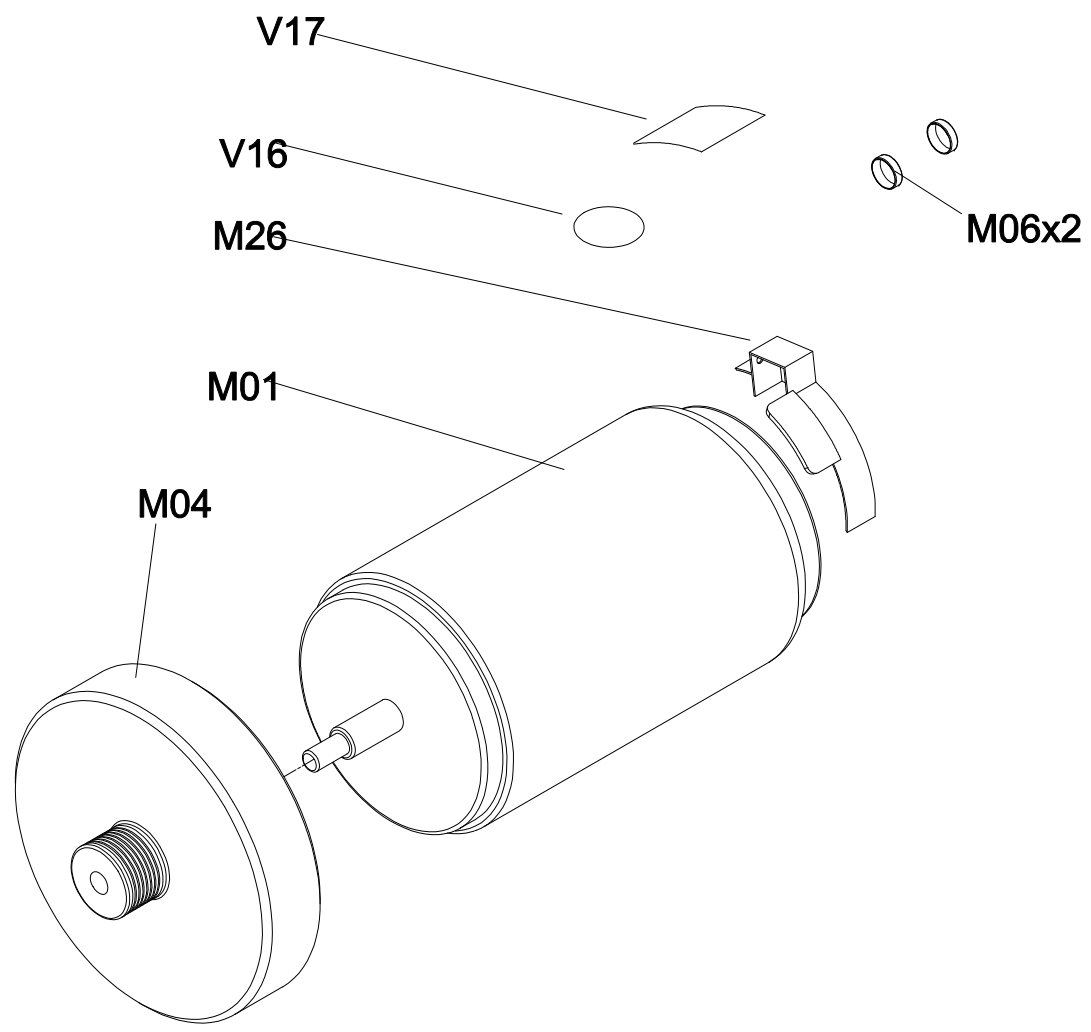
- H28
- H32
- H17x2
- B41
- H17x2
- H32
- H28

- Q02
- Q33x9

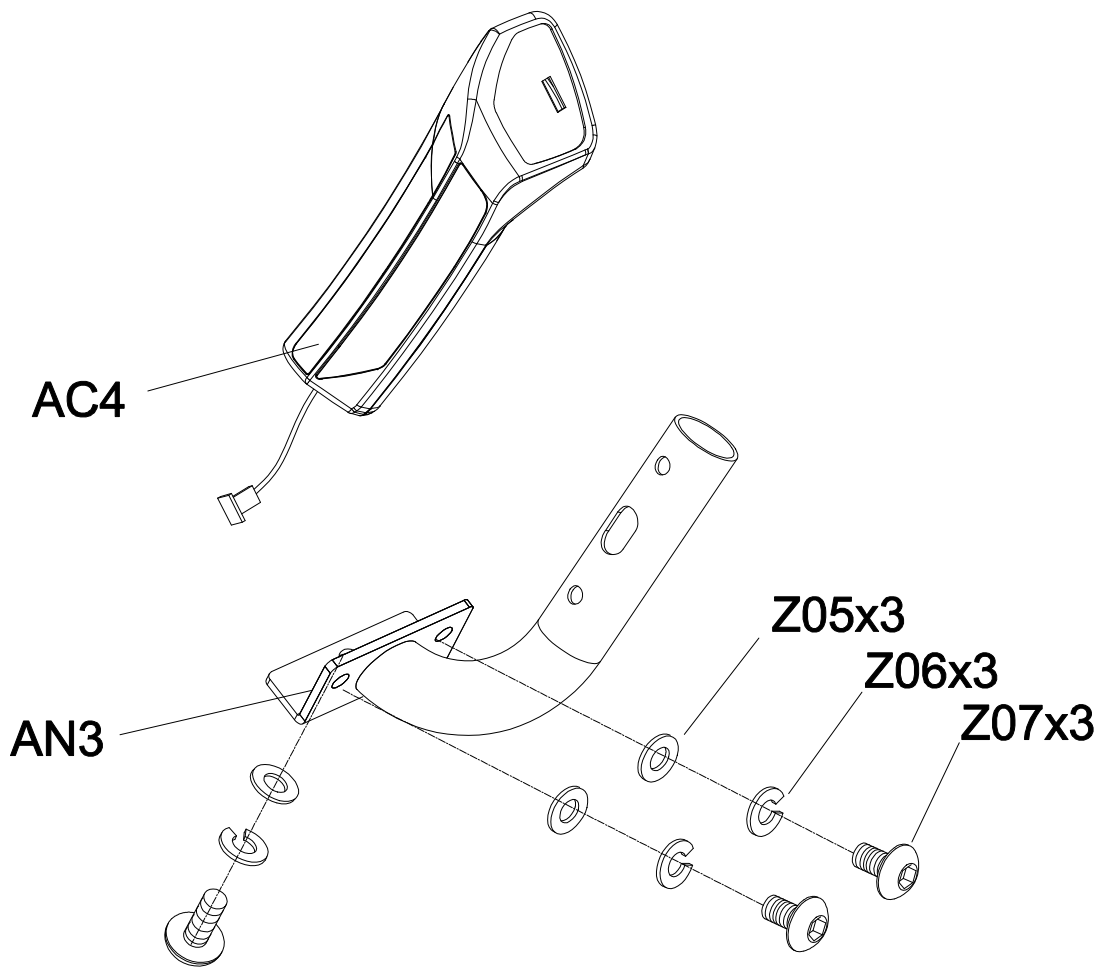
DRAWING NO	TM439-A11		
PART NAME	Lock Latch Set		
PART NO	1000231988	REV	A
APPROVE		DATE	120503



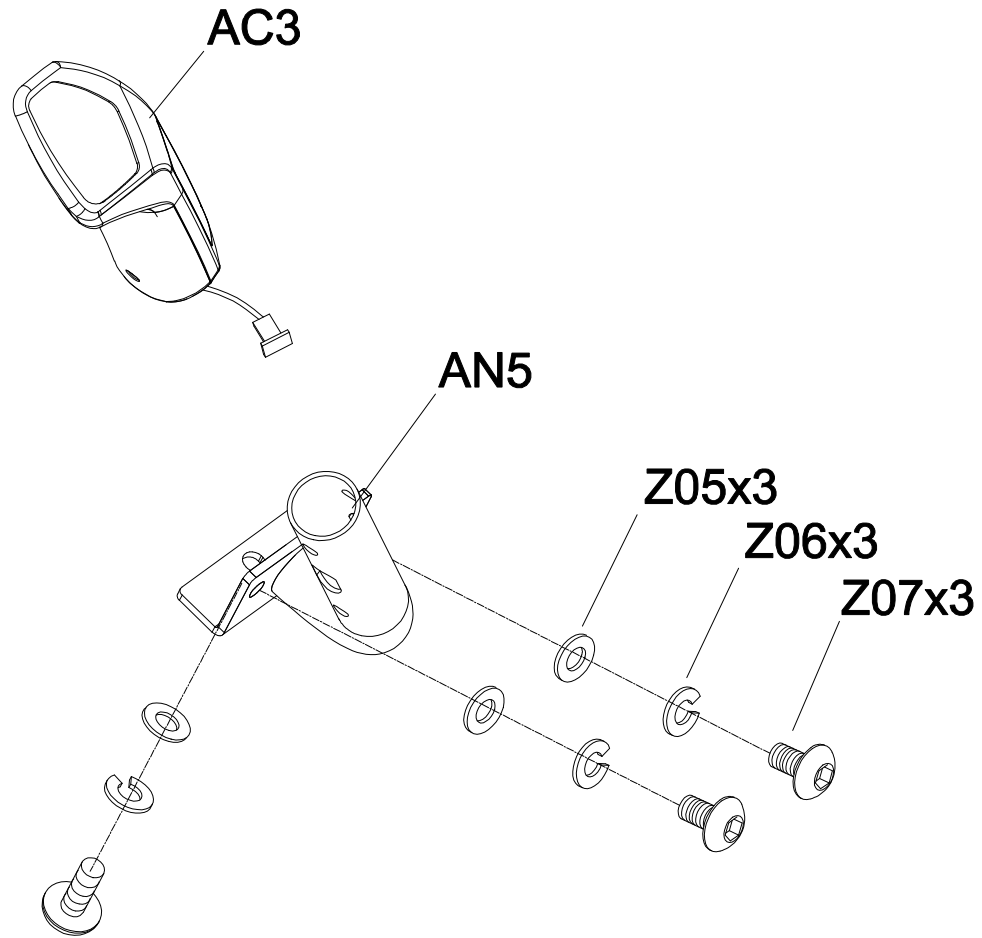
DRAWING NO	TM439E-A13		
PART NAME	Motor set		
PART NO	1000346329	REV	A
APPROVE	Lvhui	DATE	20140326



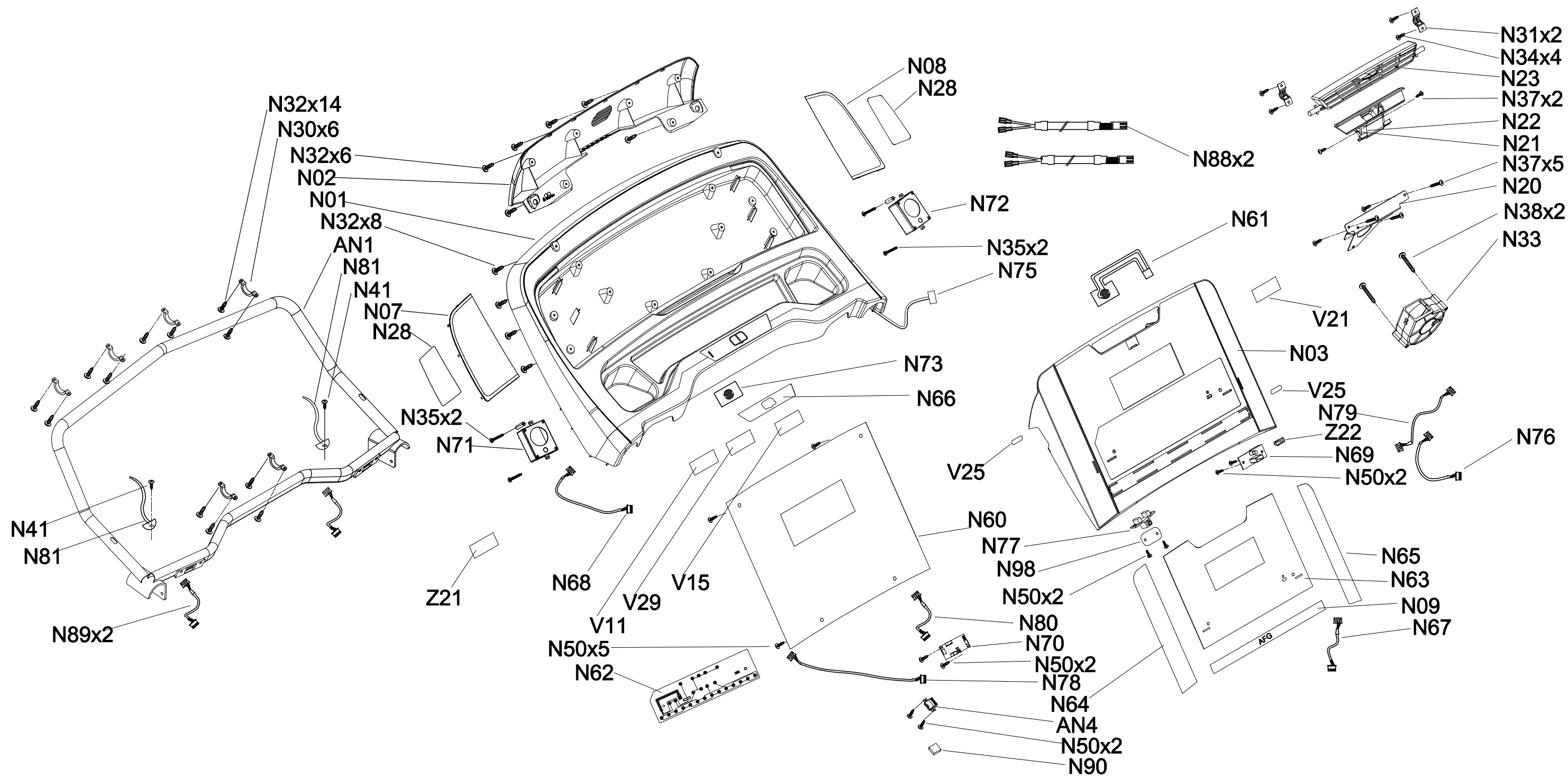
DRAWING NO	TM439-A14		
PART NAME	Left Handlebar Set		
PART NO	1000346317	REV	A
APPROVE	Lvhui	DATE	20140326



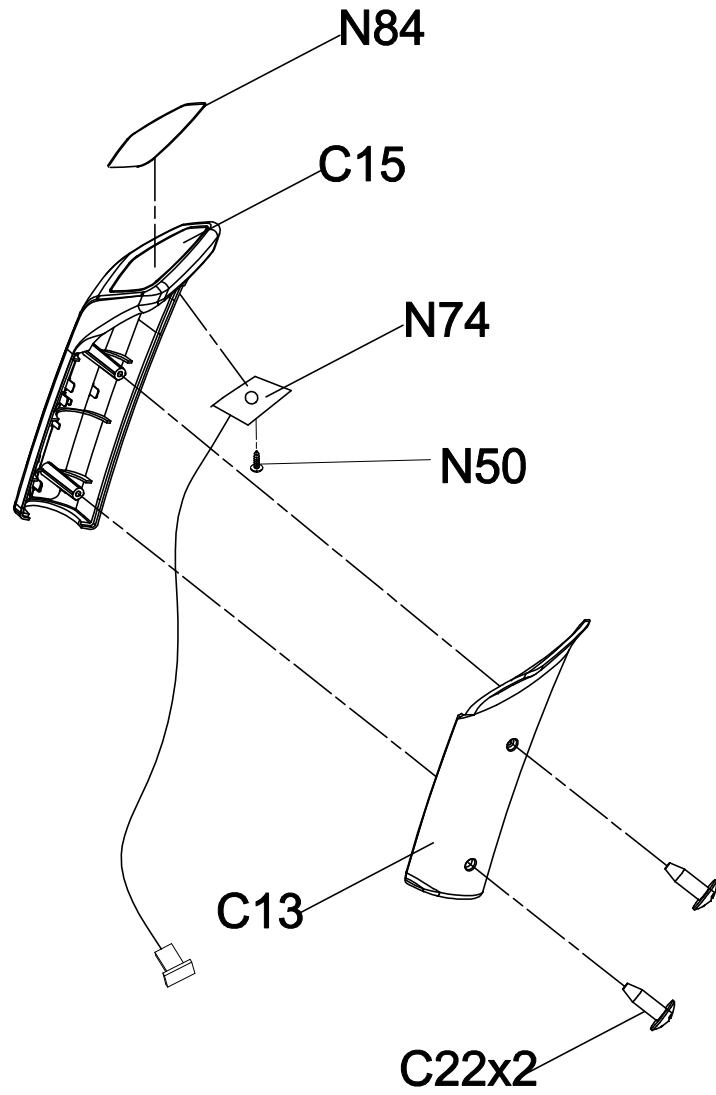
DRAWING NO	TM439E-A15		
PART NAME	Right Handlebar Set		
PART NO	1000346319	REV	A
APPROVE	Lvhui	DATE	20140326



DRAWING NO	TM439E-A16		
PART NAME	Console Set		
PART NO	1000346321	REV	A
APPROVE	Lvhui	DATE	20140326



DRAWING NO	TM439E-A17		
PART NAME	Left Sensor Set		
PART NO	1000346318	REV	A
APPROVE	Lvhui	DATE	20140326



DRAWING NO	TM439E-A18		
PART NAME	Right Sensor Set		
PART NO	1000346320	REV	A
APPROVE	Lvhui	DATE	20140326

